

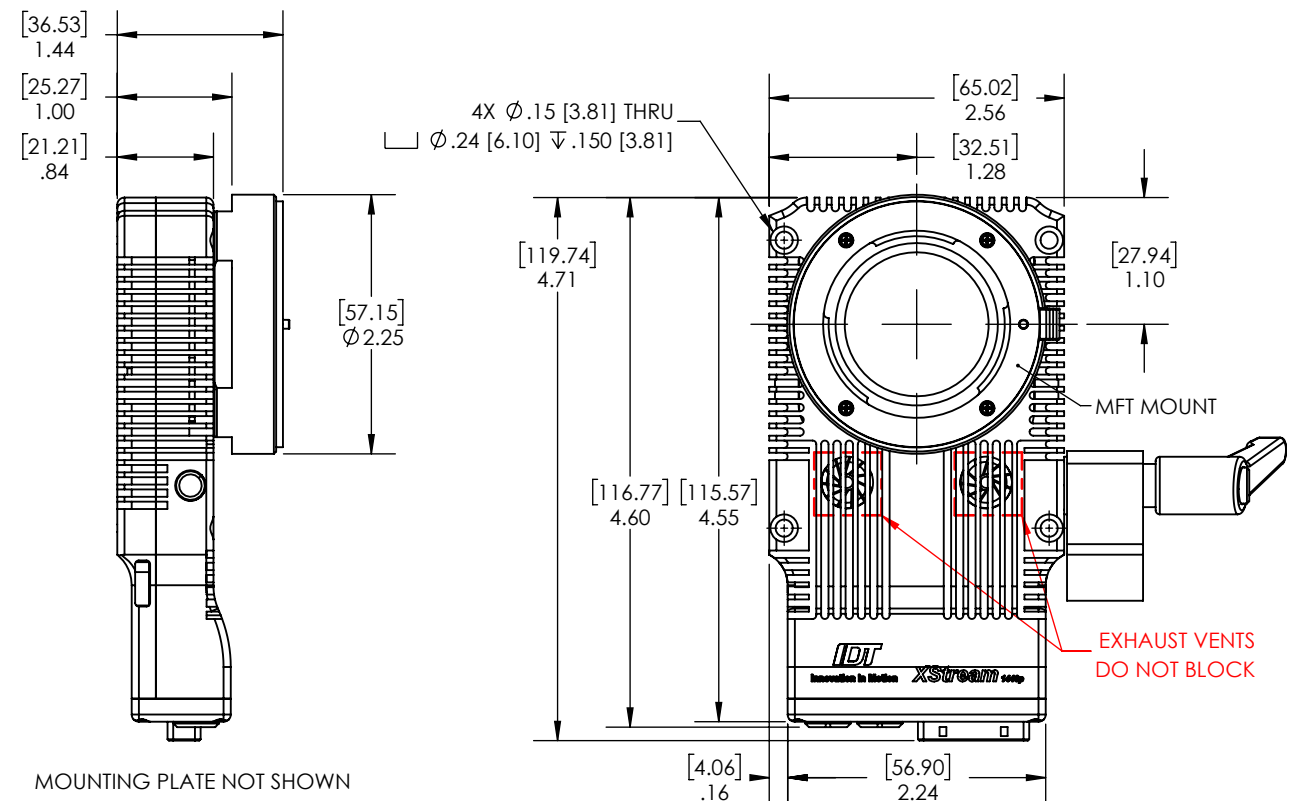
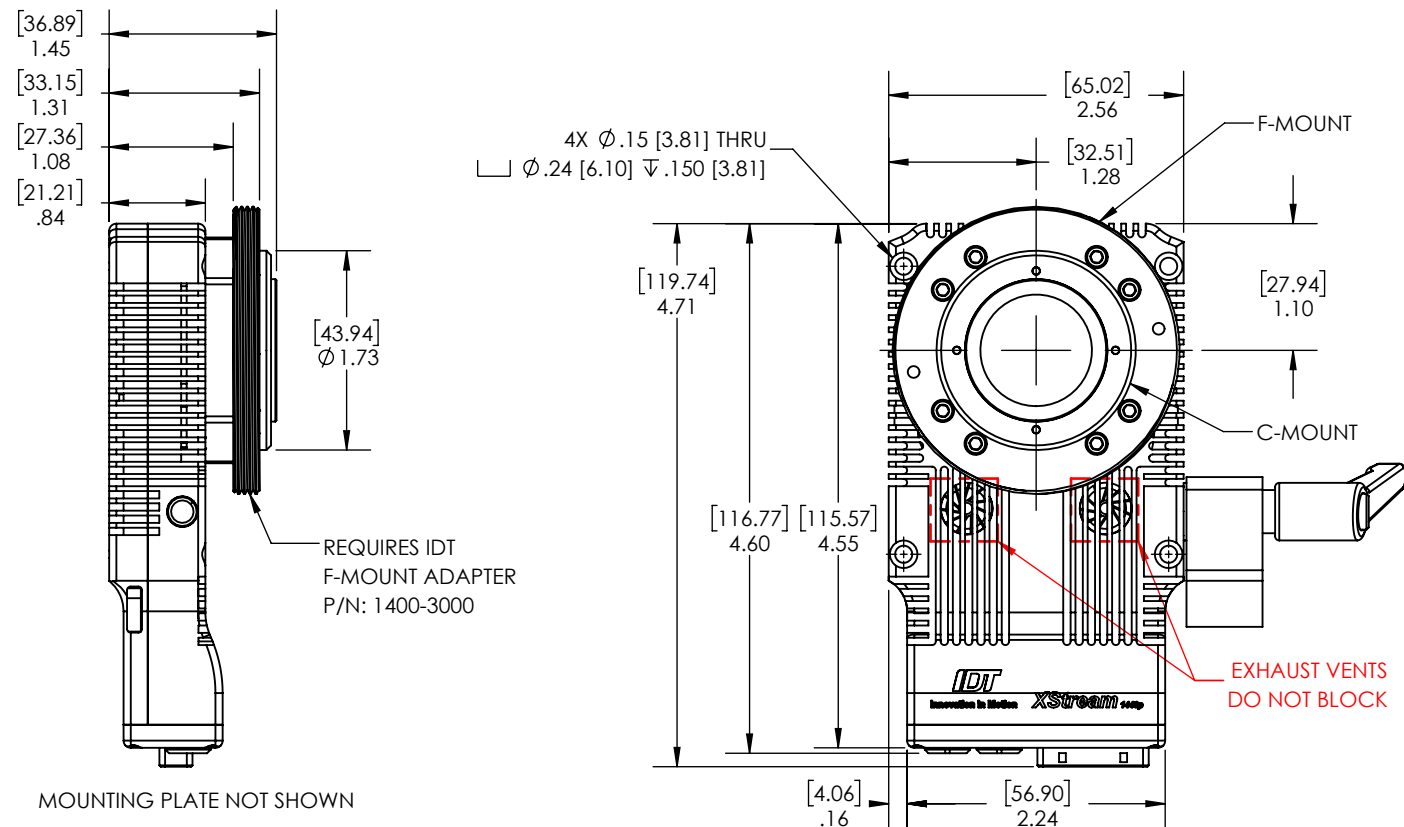
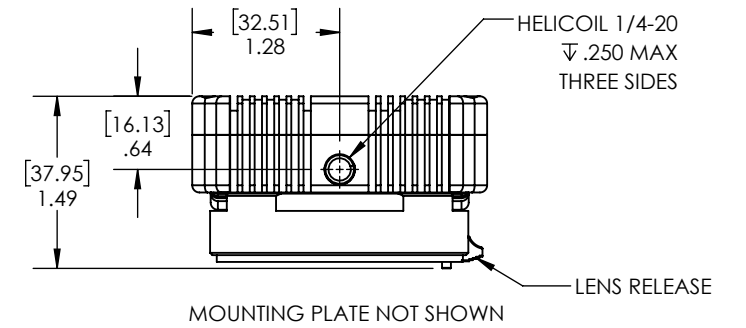
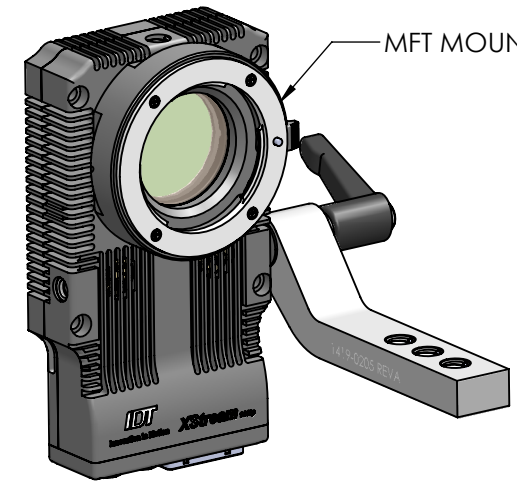
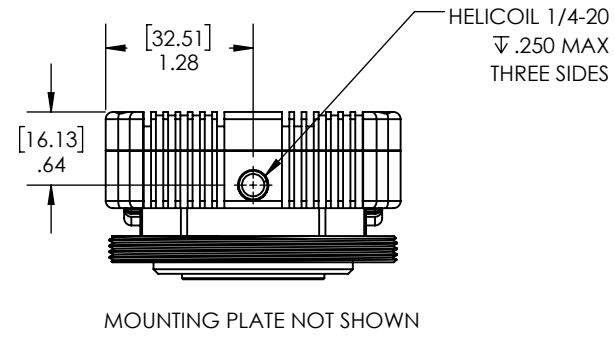
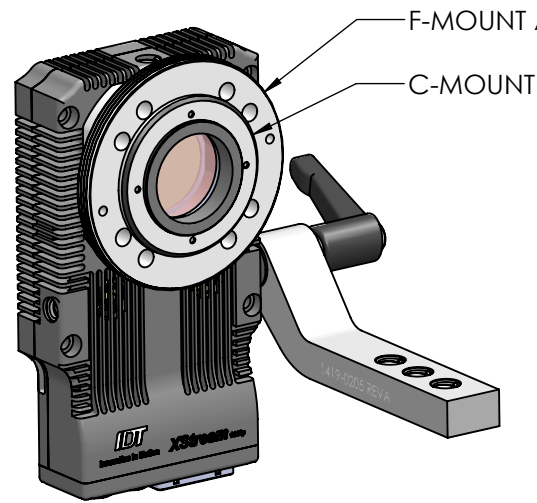


### C / F - MOUNT CONFIGURATION

\*ALL OTHER DIMENSIONS REMAINS THE SAME, REFERENCE SHEET 1.

### MICRO FOUR THIRDS (MFT) MOUNT CONFIGURATION

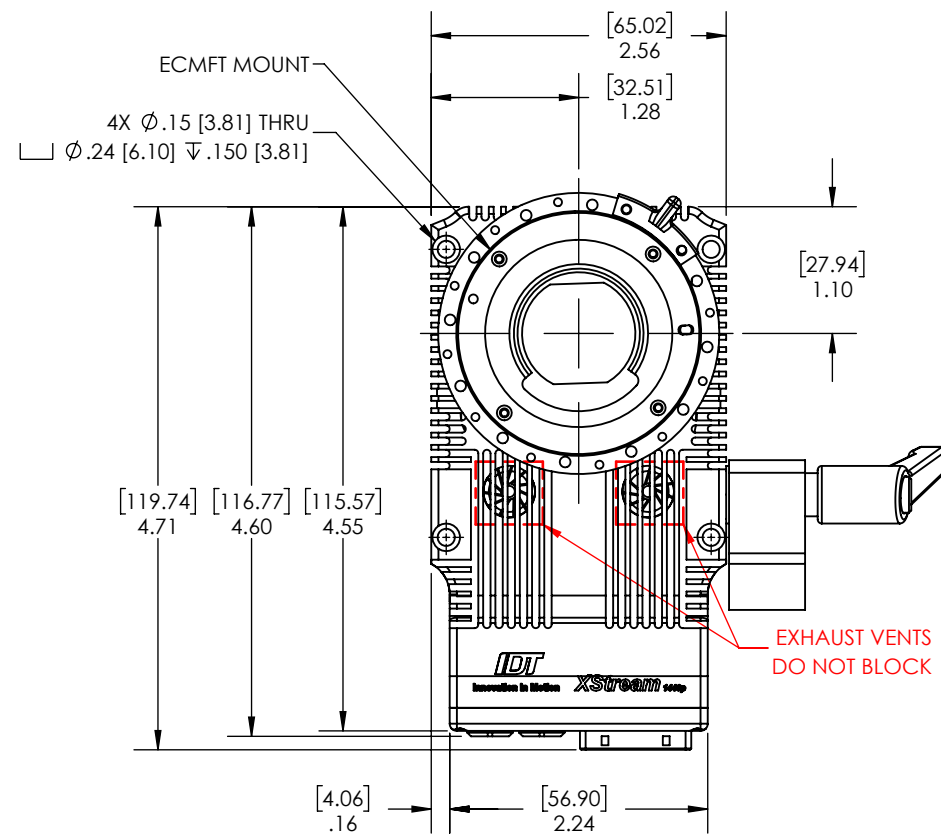
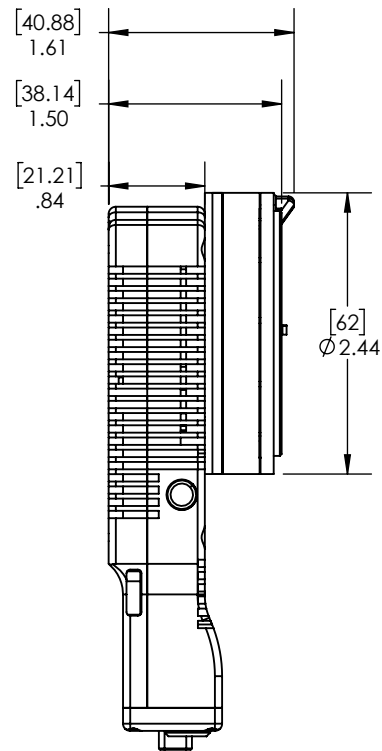
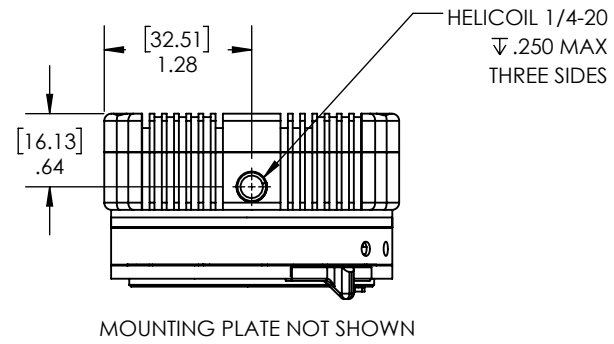
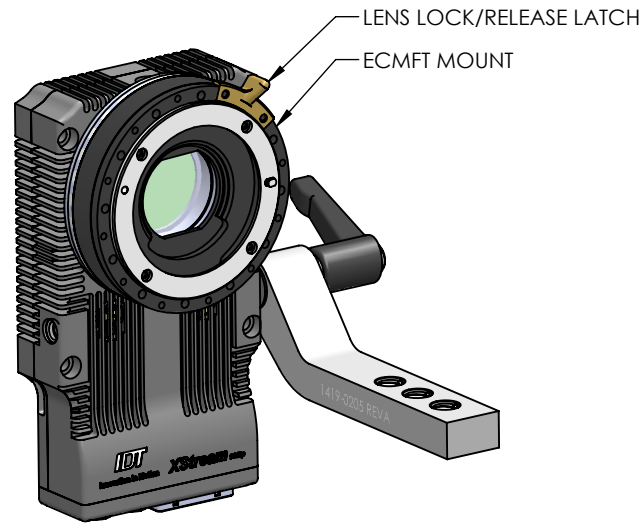
\*ALL OTHER DIMENSIONS REMAINS THE SAME, REFERENCE SHEET 1.



<b>PROPRIETARY AND CONFIDENTIAL</b> <small>THE INFORMATION CONTAINED IN THIS DRAWING IS THE SOLE PROPERTY OF INTEGRATED DESIGN TOOLS, INC. ANY REPRODUCTION IN PART OR AS A WHOLE WITHOUT THE WRITTEN PERMISSION OF INTEGRATED DESIGN TOOLS, INC. IS PROHIBITED.</small>	PROJECT NAME: <b>X-STREAM CAMERA</b>	<b>INTEGRATED DESIGN TOOLS, INC</b> <small>1 WEST MOUNTAIN STREET SUITE 3                  PASADENA, CA 91103</small>	
	UNLESS OTHERWISE SPECIFIED: DIMENSIONS ARE IN INCHES TOLERANCES ON: FRACTIONAL DECIMAL ANGULAR ± 1/16 X ± .03 ± 1° .XX ± .01 .XXX ± .005	TITLE: <b>X-STREAM CAMERA, INTERFACE CONTROL DOCUMENT (ICD)</b>	
THIRD ANGLE PROJECTION 	<b>DO NOT SCALE DRAWING</b>	SCALE: 3:5 DATE: 12/28/2018	SHEET 2 OF 3

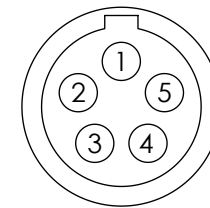
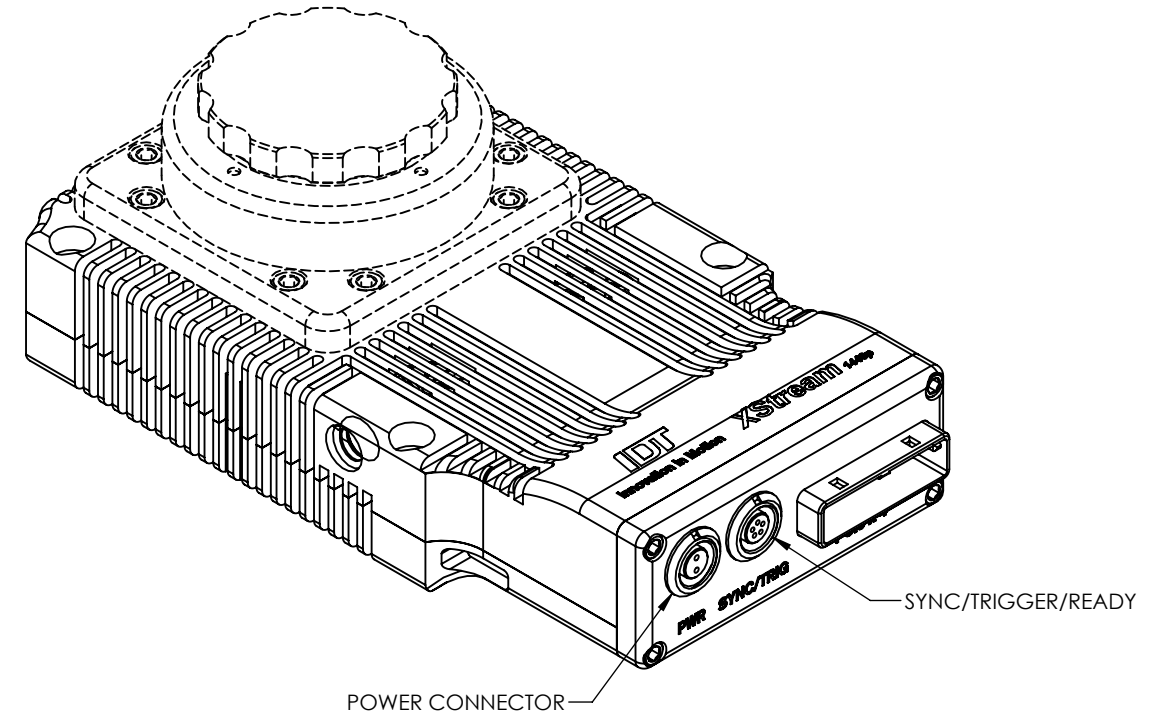
# ELECTRONIC CONTROLLED MICRO FOUR THIRDS (ECMFT) MOUNT CONFIGURATION

\*ALL OTHER DIMENSIONS REMAINS THE SAME, REFERENCE SHEET 1.

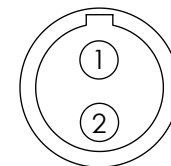


# FOR CONNECTOR ELECTRICAL SPECIFICATION REFERENCE ONLY

APPLIES TO ALL LENS MOUNT CONFIGURATIONS



LEMO CONNECTOR B SERIES EGG.0B.305.CLL		
PIN	SIGNAL	TECHNICAL DESCRIPTION
1	TRIGGER	1 kΩ ± 10%, SWITCH CLOSURE TRIGGER
2	SYNC IN	1 kΩ ± 10%, SWITCH CLOSURE TRIGGER
3	READY OUT	100 Ω ± 10%, TTL
4	SYNC OUT	100 Ω ± 10%, TTL
5	SGND	GROUND, DRAIN - SHELL



LEMO CONNECTOR B SERIES EGG.0B.302.CLL		
PIN	SIGNAL	TECHNICAL DESCRIPTION
1	+ POWER	INPUT VOLTAGE: 6 VDC
2	GROUND	GROUND FOR POWER RETURN

**PROPRIETARY AND CONFIDENTIAL**  
THE INFORMATION CONTAINED IN THIS DRAWING IS THE SOLE PROPERTY OF INTEGRATED DESIGN TOOLS, INC. ANY REPRODUCTION IN PART OR AS A WHOLE WITHOUT THE WRITTEN PERMISSION OF INTEGRATED DESIGN TOOLS, INC. IS PROHIBITED.



PROJECT NAME:  
**X-STREAM CAMERA**

UNLESS OTHERWISE SPECIFIED:  
DIMENSIONS ARE IN INCHES  
TOLERANCES ON:  
FRACTIONAL DECIMAL ANGULAR  
± 1/16 X ± .03 ± 1°  
.XX ± .01  
.XXX ± .005

**DO NOT SCALE DRAWING**

**INTEGRATED DESIGN TOOLS, INC**  
1 WEST MOUNTAIN STREET SUITE 3  
PASADENA, CA 91103

TITLE:  
**X-STREAM CAMERA, INTERFACE CONTROL DOCUMENT (ICD)**

SIZE: **B** DWG. NO. **1419-0100** REV **C**

SCALE: 3:5 DATE: 12/28/2018 SHEET 3 OF 3

