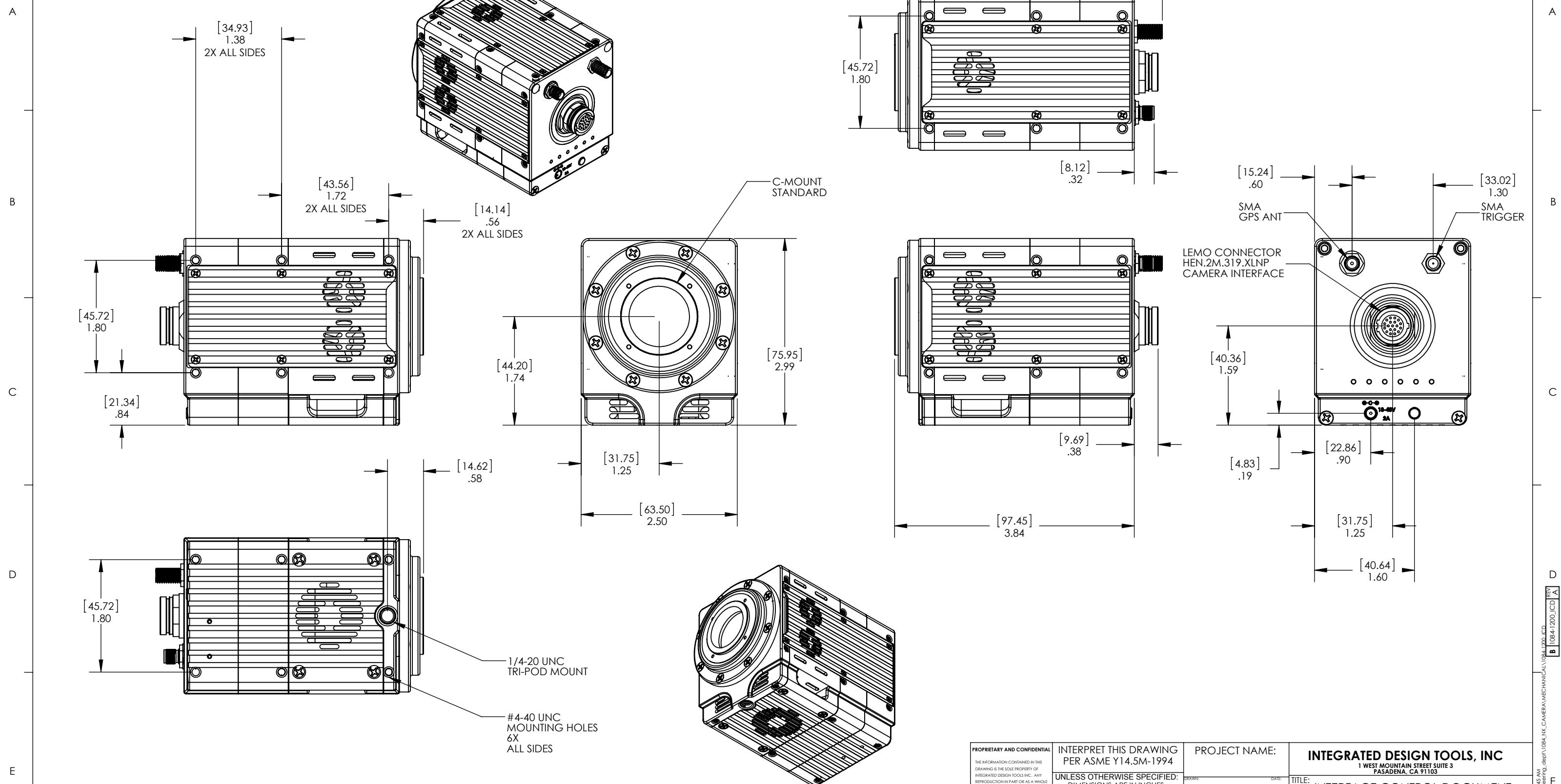


INTERFACE CONTROL DOCUMENT

REVISIONS				
ZONE	REV.	DESCRIPTION	DATE	APPROVED
	A	CHANGED ALL DISPLAY STATES OF ALL VIEWS TO WIRE FRAME. UPDATED FOR LEMO AND SMA CONNECTORS.	9/13/2012	B. MOAK



THIRD ANGLE PROJECTION	NEXT ASSY	USED ON
	APPLICATION	

PROPRIETARY AND CONFIDENTIAL

THE INFORMATION CONTAINED IN THIS DRAWING IS THE SOLE PROPERTY OF INTEGRATED DESIGN TOOLS, INC. ANY REPRODUCTION IN PART OR AS A WHOLE WITHOUT THE WRITTEN PERMISSION OF INTEGRATED DESIGN TOOLS, INC. IS PROHIBITED.

INTERPRET THIS DRAWING PER ASME Y14.5M-1994

UNLESS OTHERWISE SPECIFIED: DIMENSIONS ARE IN INCHES

TOLERANCES ON:

FRACTIONAL DECIMAL ANGULAR

± 1/16 .X ± .1 ± 1°

.XX ± .03

.XXX ± .010

DO NOT SCALE DRAWING

DATE	BY	CHKD	APPD
2/12/2012	BRYAN MOAK		
2/12/2012			
2/12/2012	ERIC HEININGER		
2/12/2012	LUIZ LOURENCO		

PROJECT NAME:		INTEGRATED DESIGN TOOLS, INC 1 WEST MOUNTAIN STREET SUITE 3 PASADENA, CA 91103	
TITLE:		INTERFACE CONTROL DOCUMENT, NX-AIR CAMERA	
SIZE:	DWG. NO.	REV	
B	1084-1200 ICD	A	
SCALE: 2:3	DATE: 3/4/2013	SHEET 1 OF 2	

8

7

6

5

4

3

2

1

NX-AIR WITH WIRELESS MODULE

A

B

C

D

E

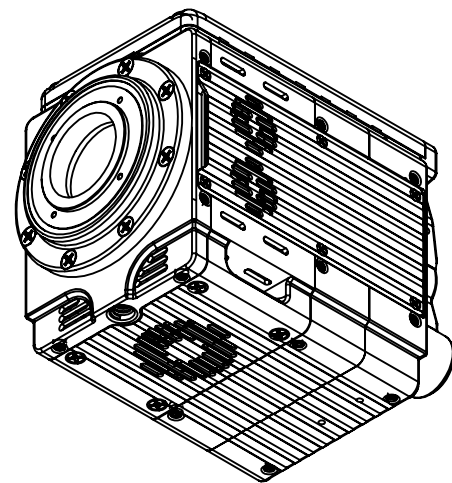
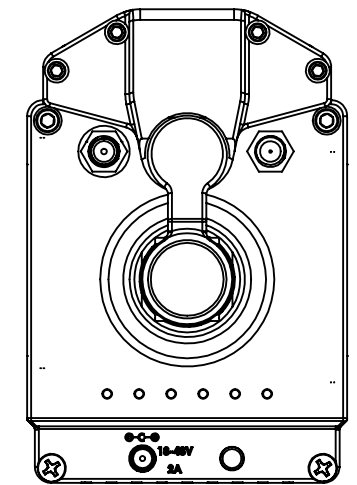
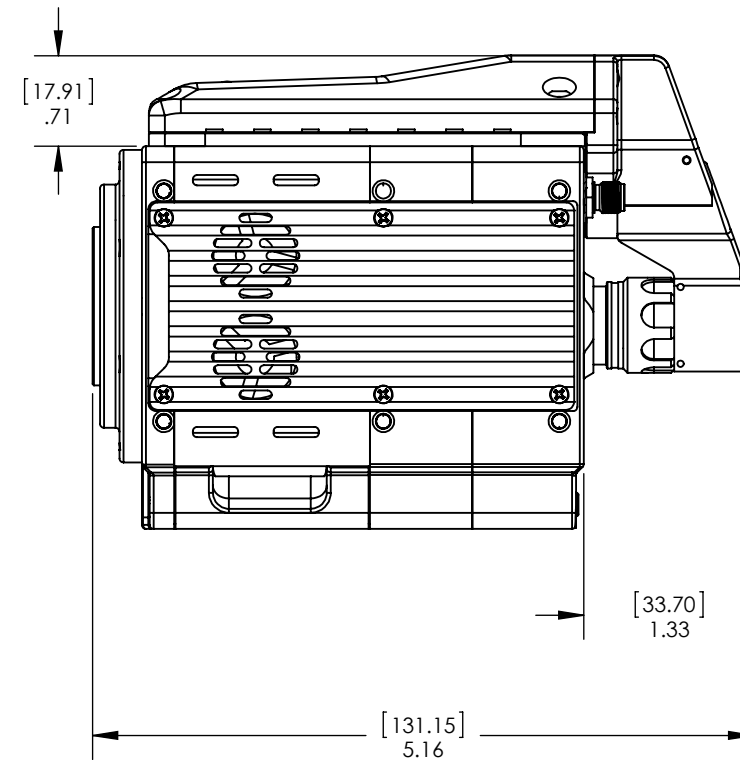
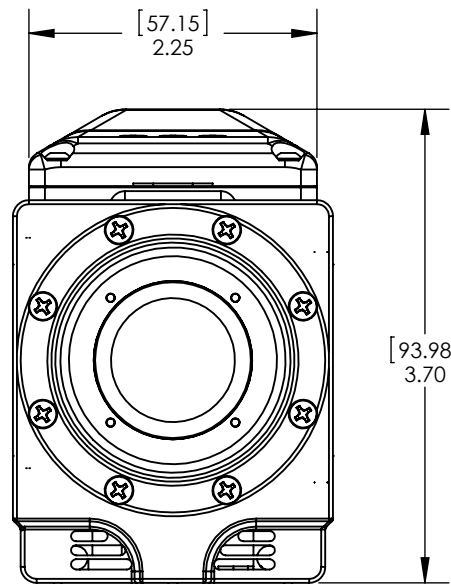
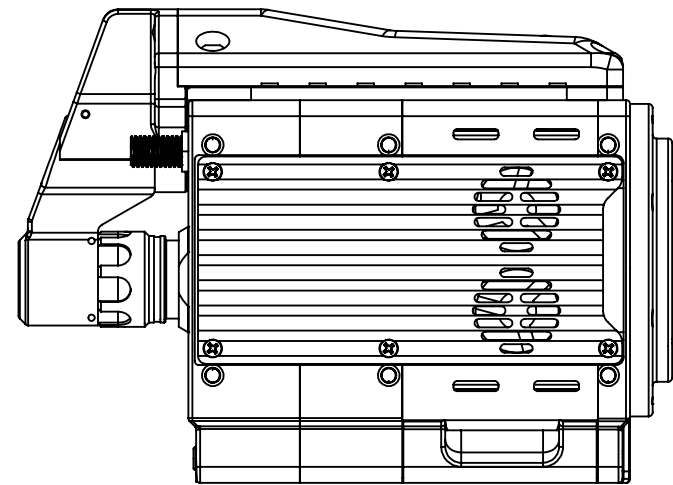
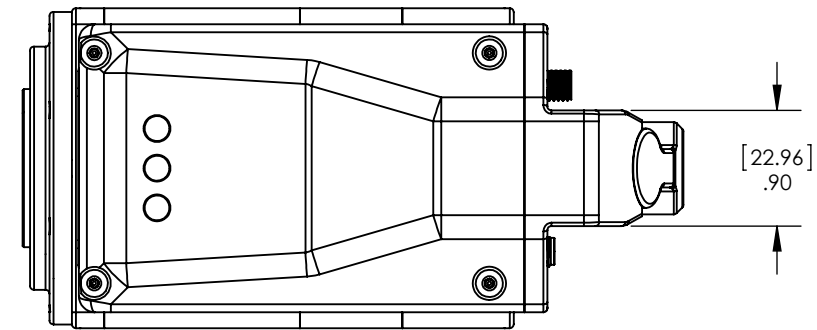
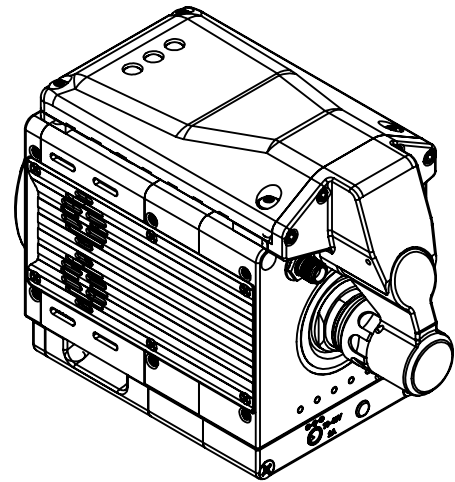
A


B

C

D

E



			INTEGRATED DESIGN TOOLS, INC <small>1 WEST MOUNTAIN STREET SUITE 3 PASADENA, CA 91103</small>		
			SIZE: B	DWG. NO. 1084-1200 ICD	REV A
SCALE: 2:3		DATE: 3/4/2013	SHEET 2 OF 2		

8

7

6

5

4

3

2

1