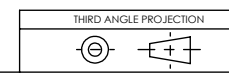
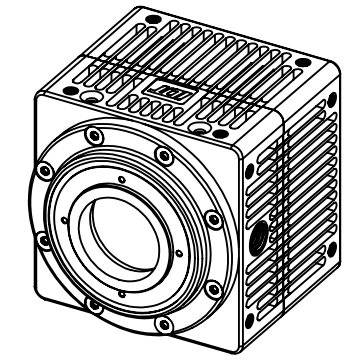
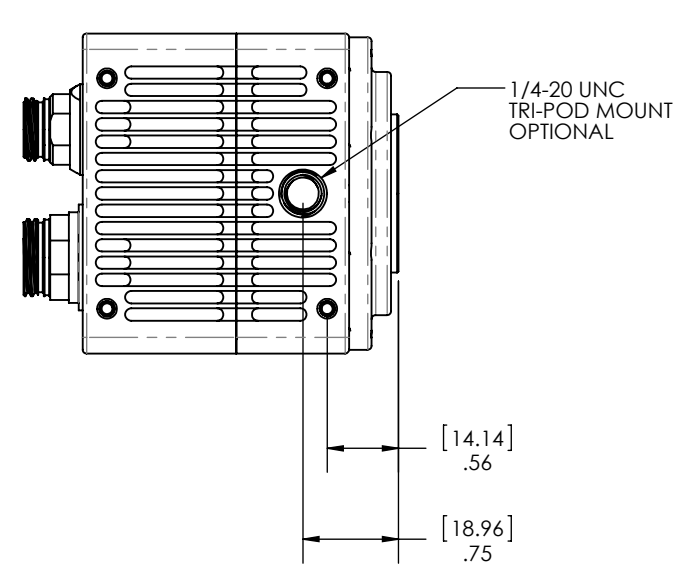
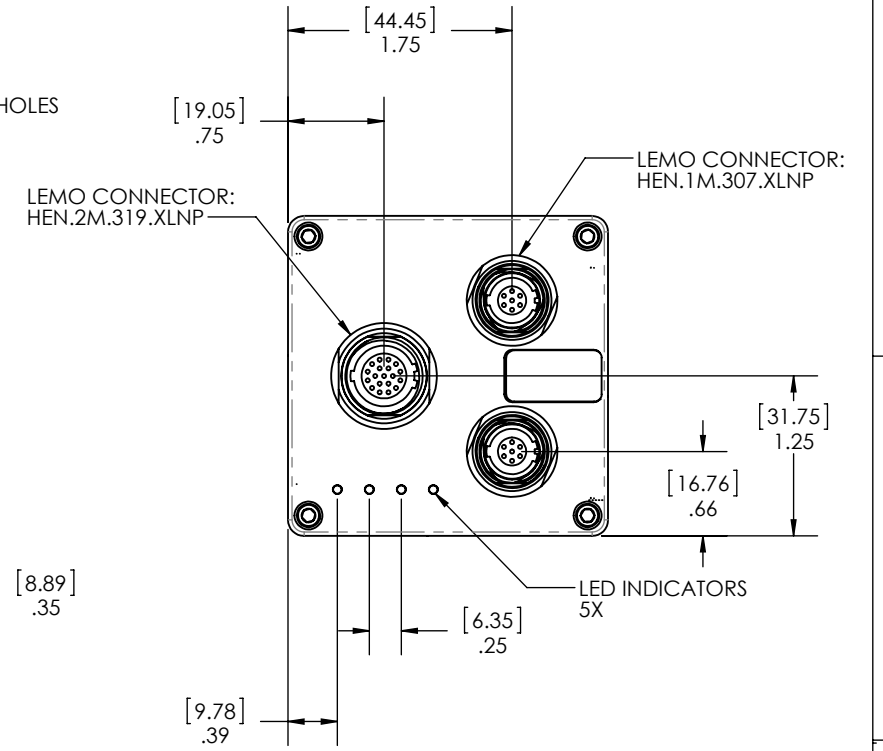
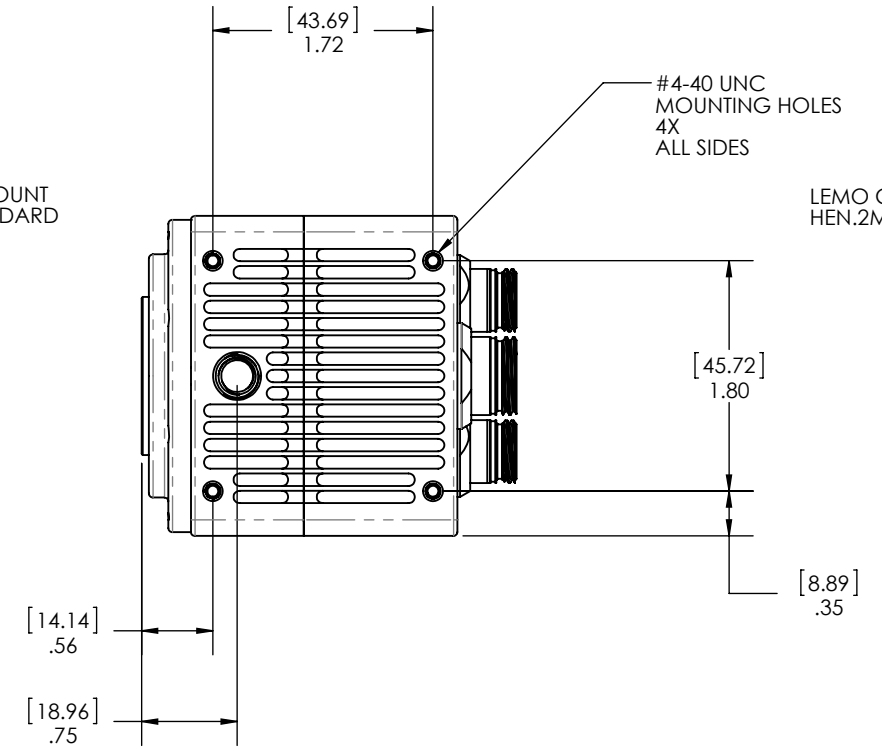
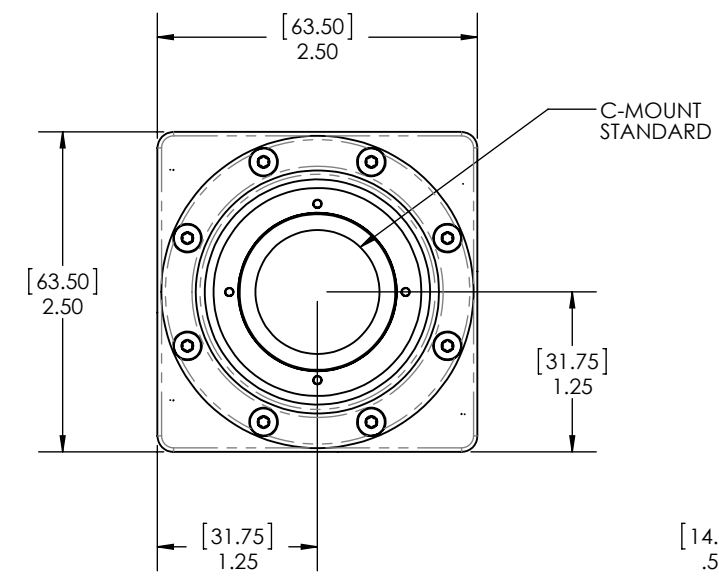
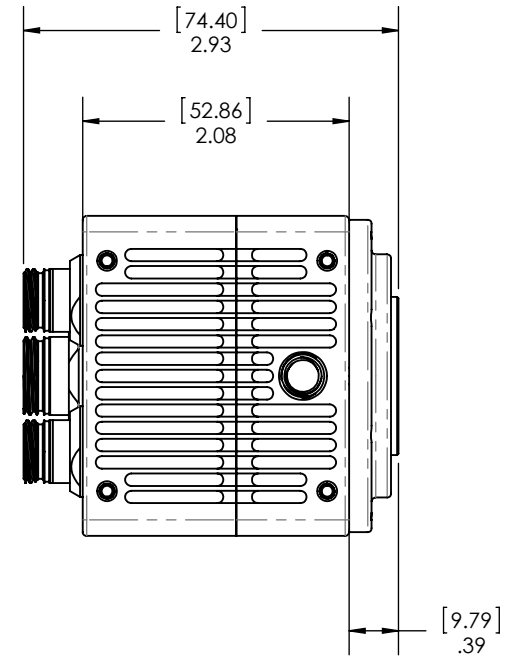
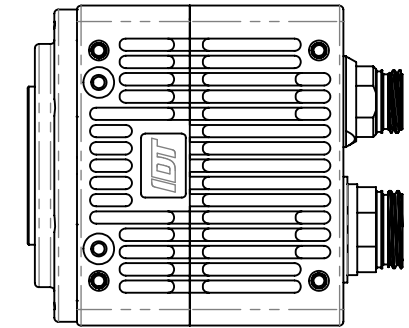
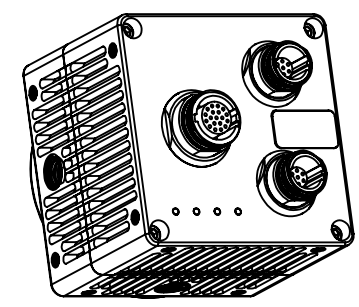


NOTES: UNLESS OTHERWISE SPECIFIED

REVISIONS					
ZONE	REV.	ECO #	DESCRIPTION	DATE	APPROVED
	A	-	INITIAL RELEASE	1/21/2015	B. MOAK



<b>PROPRIETARY AND CONFIDENTIAL</b> <small>THE INFORMATION CONTAINED IN THIS DRAWING IS THE SOLE PROPERTY OF INTEGRATED DESIGN TOOLS, INC. ANY REPRODUCTION IN PART OR AS A WHOLE WITHOUT THE WRITTEN PERMISSION OF INTEGRATED DESIGN TOOLS, INC. IS PROHIBITED.</small>	MATERIAL:	FINISH:	PROJECT NAME: INDUSTRIAL CAMERA	<b>INTEGRATED DESIGN TOOLS, INC</b> <small>1 WEST MOUNTAIN STREET SUITE 3 PASADENA, CA 91103</small>
	<small>UNLESS OTHERWISE SPECIFIED: DIMENSIONS ARE IN INCHES TOLERANCES ON:</small> FRACTIONAL DECIMAL ANGULAR $\pm 1/16$ .X $\pm .03$ $\pm 1^\circ$ .XX $\pm .01$ .XXX $\pm .005$			
			<small>SIZE: B</small> <small>SCALE: 2:3</small>	<small>REV A</small> <small>DATE: 1/23/2015</small> <small>SHEET 1 OF 1</small>

DO NOT SCALE DRAWING

FINAL ASSY, INDUSTRIAL CAMERA, ICD

DWG. NO. 1301-0100