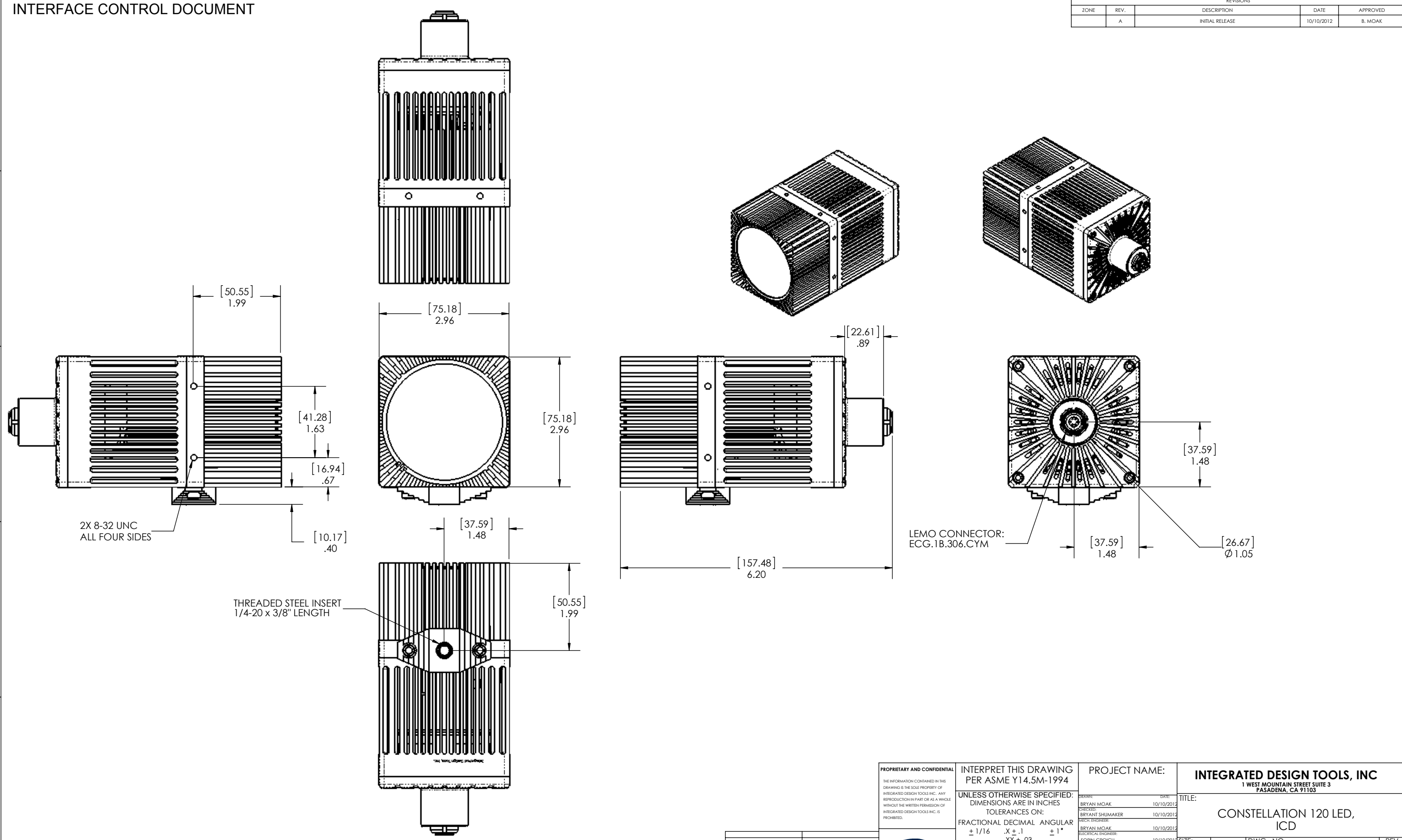


INTERFACE CONTROL DOCUMENT

REVISIONS				
ZONE	REV.	DESCRIPTION	DATE	APPROVED
	A	INITIAL RELEASE	10/10/2012	B. MOAK

A
B
C
D
E

A
B
C
D
E



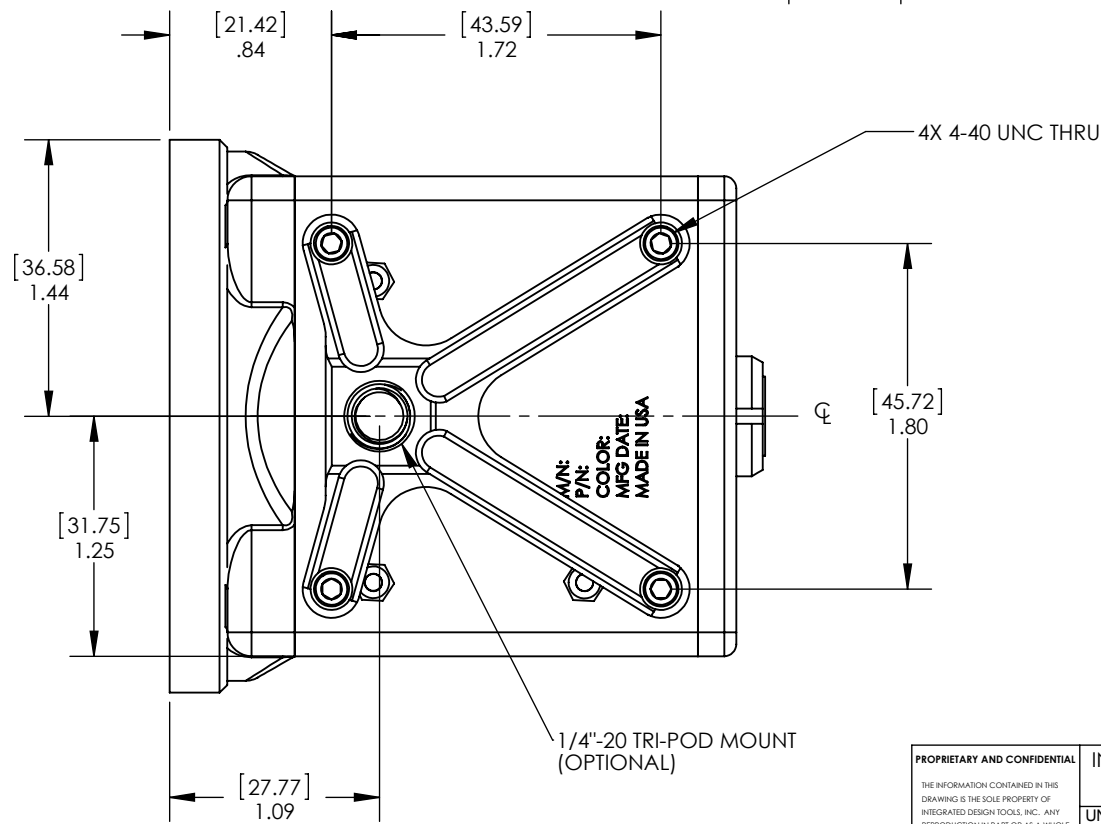
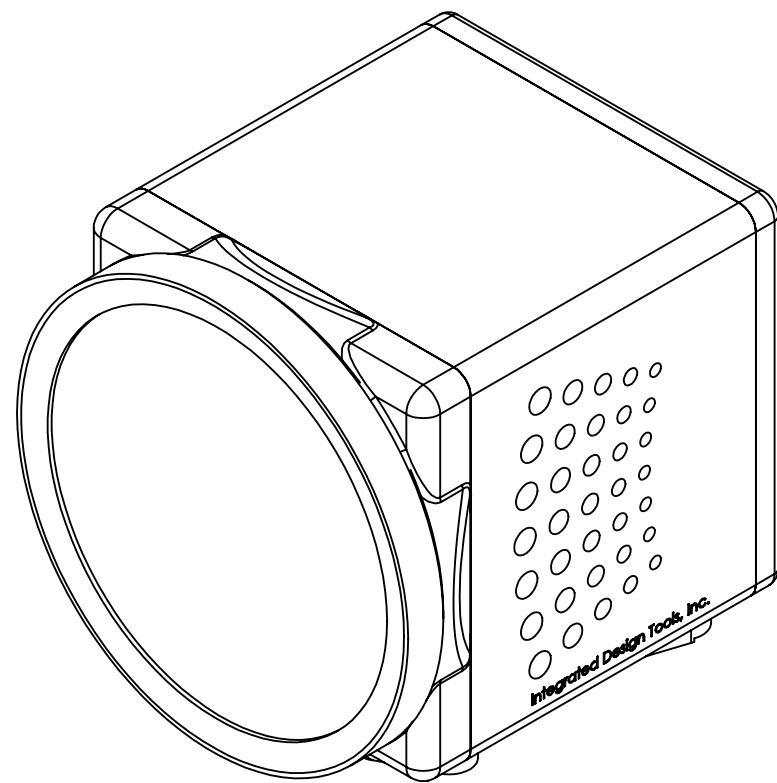
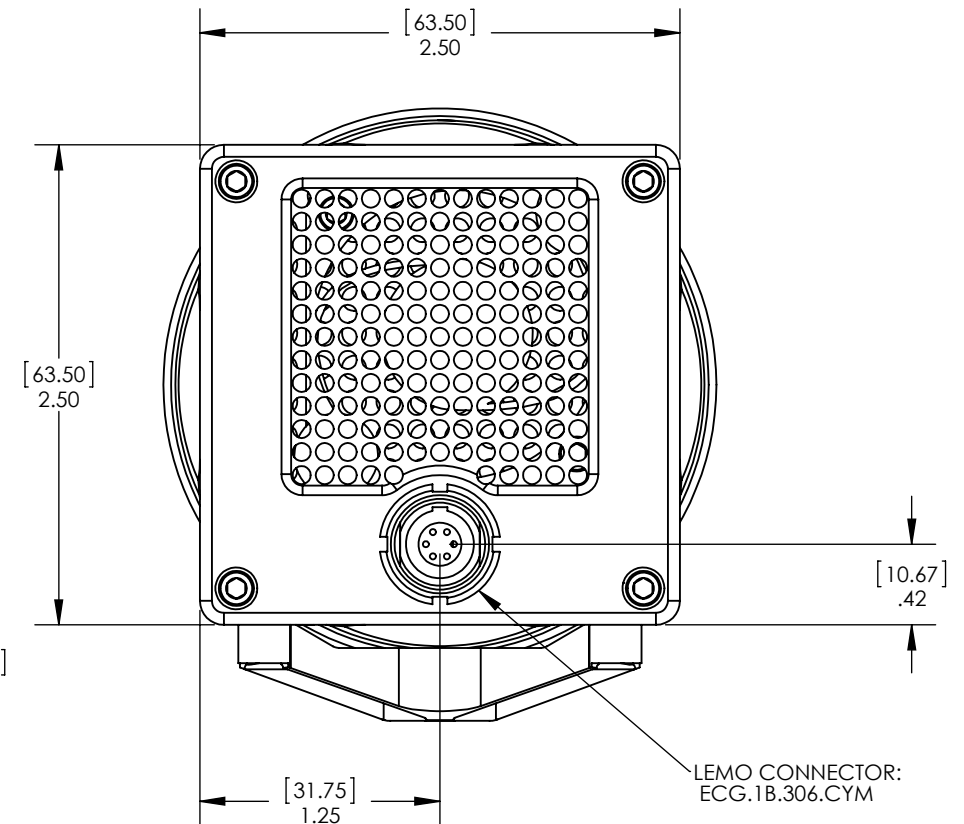
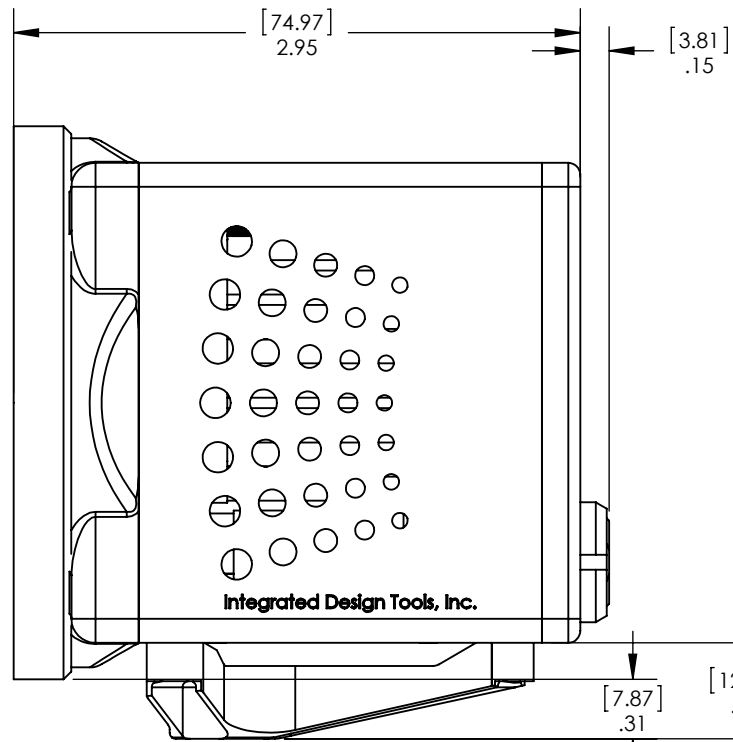
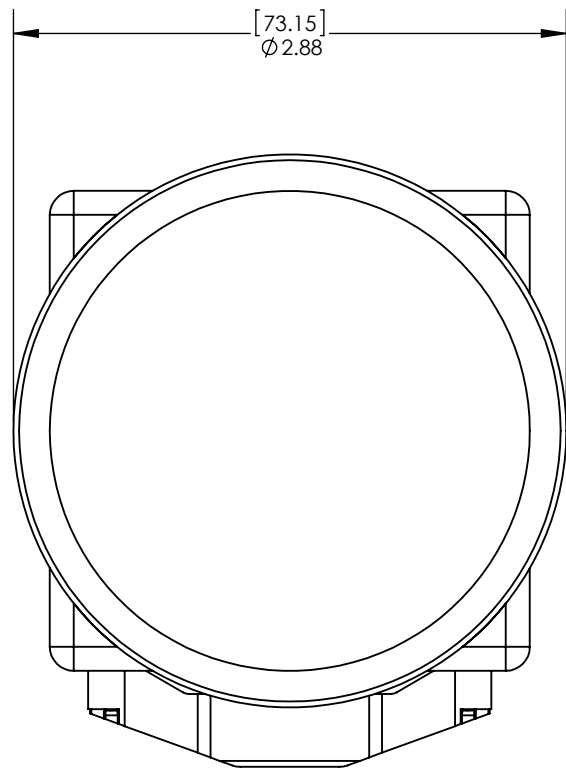
THIRD ANGLE PROJECTION		
	NEXT ASSY	USED ON
	APPLICATION	

<p>PROPRIETARY AND CONFIDENTIAL</p> <p>THE INFORMATION CONTAINED IN THIS DRAWING IS THE SOLE PROPERTY OF INTEGRATED DESIGN TOOLS INC. ANY REPRODUCTION IN PART OR AS A WHOLE WITHOUT THE WRITTEN PERMISSION OF INTEGRATED DESIGN TOOLS INC. IS PROHIBITED.</p>	<p>INTERPRET THIS DRAWING PER ASME Y14.5M-1994</p> <p>UNLESS OTHERWISE SPECIFIED: DIMENSIONS ARE IN INCHES</p> <p>TOLERANCES ON:</p> <p>FRACTIONAL DECIMAL ANGULAR</p> <p>± 1/16 .X ± .1 ± 1°</p> <p>.XX ± .03</p> <p>.XXX ± .010</p> <p>DO NOT SCALE DRAWING</p>	<p>PROJECT NAME:</p> <p>BRYAN MOAK 10/10/2012</p> <p>BRYANT SHUMAKER 10/10/2012</p> <p>BRYAN MOAK 10/10/2012</p> <p>SORIN CROICU 10/10/2012</p> <p>LUIZ LOURENCO 10/10/2012</p>	<p>INTEGRATED DESIGN TOOLS, INC</p> <p>1 WEST MOUNTAIN STREET SUITE 3 PASADENA, CA 91103</p> <p>TITLE:</p> <p>CONSTELLATION 120 LED, ICD</p> <p>SIZE: B</p> <p>SCALE: 1:2</p>	<p>DWG. NO. 1064-1000 ICD</p> <p>DATE: 10/10/2012</p> <p>REV A</p> <p>SHEET 1 OF 1</p>
	<p>DATE: 10/10/2012</p> <p>DESIGNED BY: BRYAN MOAK</p> <p>CHECKED BY: BRYANT SHUMAKER</p> <p>DATE: 10/10/2012</p> <p>OPERATION MANAGER: LUIZ LOURENCO</p>			<p>DATE: 10/10/2012</p> <p>APPROVED: B. MOAK</p>

Wednesday, October 10, 2012 2:08:59 PM
 Breakfile: \\064-1000\BPA_Light\ICD\Constellation\1064-1000_ICD

INTERFACE CONTROL DOCUMENT

REVISIONS				
ZONE	REV.	DESCRIPTION	DATE	APPROVED
	A	INITIAL RELEASE	10/10/2012	B. MOAK

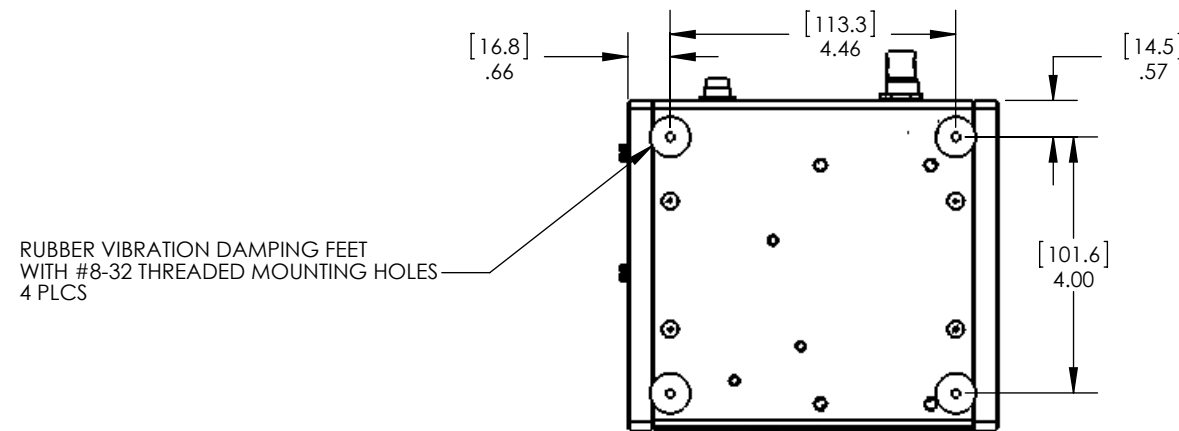
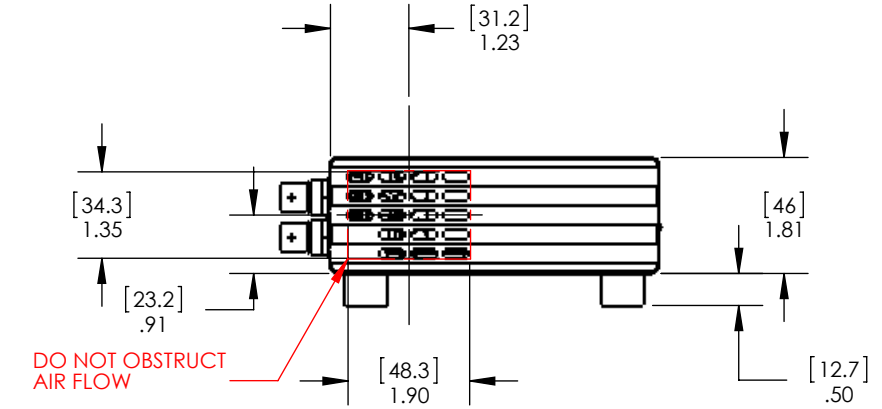
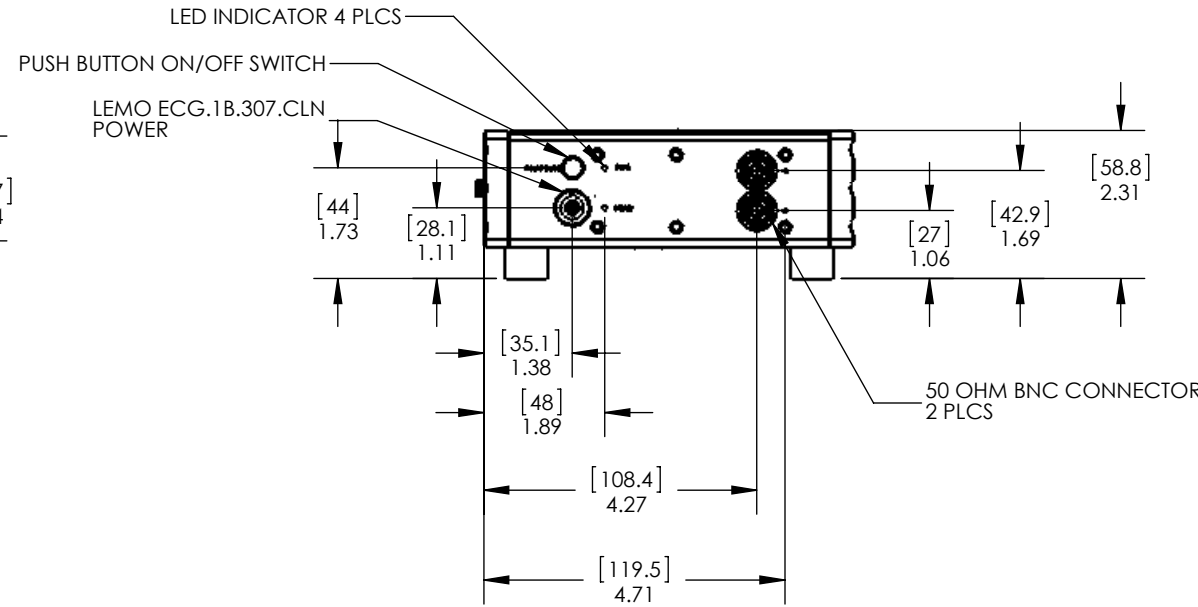
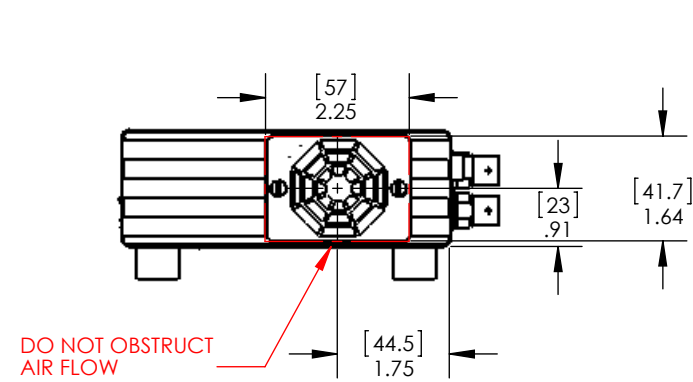
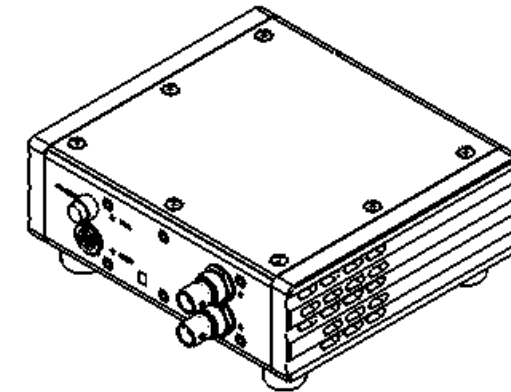
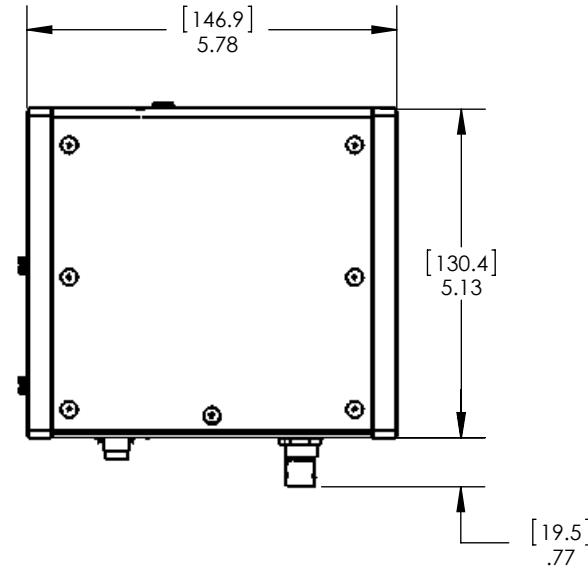
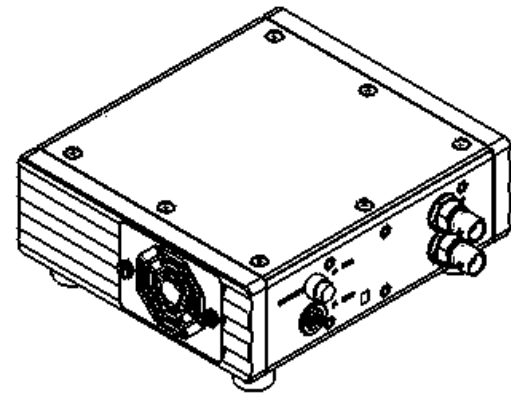


THIRD ANGLE PROJECTION		
⊕	+	
NEXT ASSY	USED ON	
APPLICATION		

<small>PROPRIETARY AND CONFIDENTIAL</small> THE INFORMATION CONTAINED IN THIS DRAWING IS THE SOLE PROPERTY OF INTEGRATED DESIGN TOOLS, INC. ANY REPRODUCTION IN PART OR AS A WHOLE WITHOUT THE WRITTEN PERMISSION OF INTEGRATED DESIGN TOOLS, INC. IS PROHIBITED.	INTERPRET THIS DRAWING PER ASME Y14.5M-1994 UNLESS OTHERWISE SPECIFIED: DIMENSIONS ARE IN INCHES TOLERANCES ON: FRACTIONAL DECIMAL ANGULAR ± 1/16 .X ± .1 ± 1° .XX ± .03 .XXX ± .010	PROJECT NAME: NX-TRA SYSTEM	INTEGRATED DESIGN TOOLS, INC 1 WEST MOUNTAIN STREET SUITE 3 PASADENA, CA 91103
	<small>DO NOT SCALE DRAWING</small>	BRYAN MOAK 10/10/2012 BRYANT SHUMAKER 10/10/2012 BRYAN MOAK 10/10/2012 SORNI C. GROICU OPERATOR MANAGER LUIZ LOURENCO 10/10/2012	TITLE: CONSTELLATION 60 LED, ICD
		DWG. NO. 1088-2000 ICD	REV A
		SCALE: 1:1	DATE: 10/31/2012 SHEET 1 OF 1

INTERFACE CONTROL DOCUMENT

REVISIONS				
ZONE	REV.	DESCRIPTION	DATE	APPROVED
	A	ECO-12-059, INITIAL RELEASE	7/26/2012	B. MOAK



THIRD ANGLE PROJECTION		
	NEXT ASSY	USED ON
	APPLICATION	

PROPRIETARY AND CONFIDENTIAL <small>THE INFORMATION CONTAINED IN THIS DRAWING IS THE SOLE PROPERTY OF INTEGRATED DESIGN TOOLS INC. ANY REPRODUCTION IN PART OR AS A WHOLE WITHOUT THE WRITTEN PERMISSION OF INTEGRATED DESIGN TOOLS INC. IS PROHIBITED.</small>	INTERPRET THIS DRAWING PER ASME Y14.5M-1994 UNLESS OTHERWISE SPECIFIED: DIMENSIONS ARE IN INCHES TOLERANCES ON: FRACTIONAL DECIMAL ANGULAR ± 1/16 .X ± .1 ± 1° .XX ± .03 .XXX ± .010	PROJECT NAME: INTEGRATED DESIGN TOOLS, INC 1 WEST MOUNTAIN STREET SUITE 3 PASADENA, CA 91103
	DATE: 7/26/2012 DRAWN BY: BRYAN MOAK CHECKED BY: DENNIS MANGROBANG DESIGNED BY: ERIC H. ELECTRICAL ENGINEER: CHRIS CROICU OPERATION MANAGER: LUIZ LOURENCO	TITLE: 8/12-LED, SINGLE CONTROLLER, 2ND GENERATION, ICD
DO NOT SCALE DRAWING	DWG. NO. 1112-0600-ICD	REV A