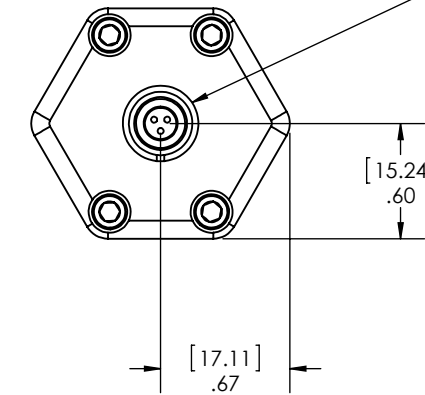
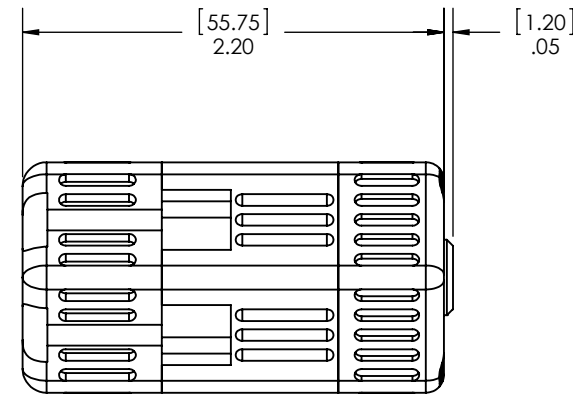
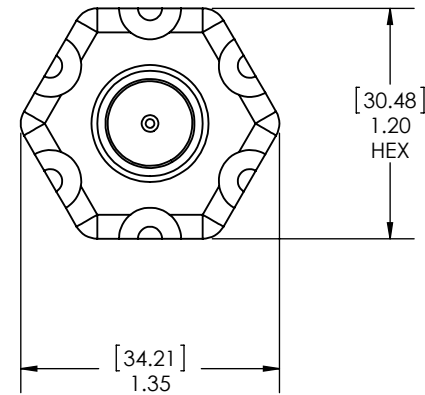
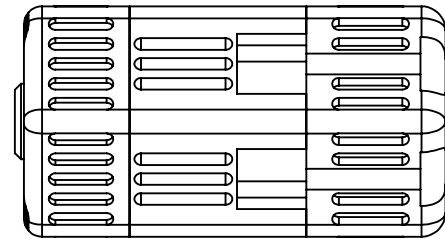
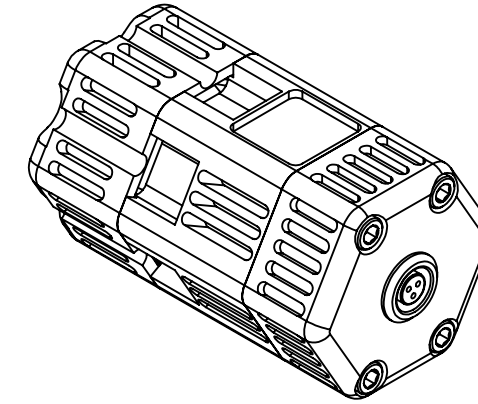
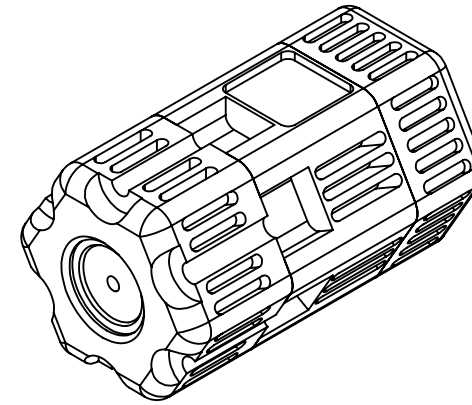
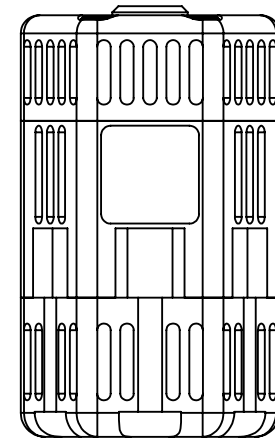
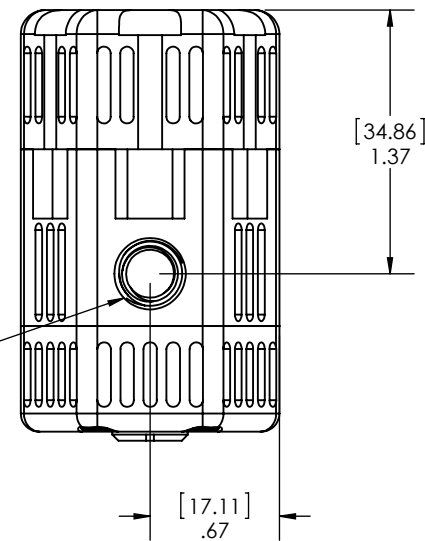


INTERFACE CONTROL DOCUMENT

REVISIONS				
ZONE	REV.	DESCRIPTION	DATE	APPROVED
	A	INITIAL RELEASE	10/10/2012	B. MOAK



LEMO CONNECTOR:
EGG.0B.303.CLL



THREADED STEEL INSERT
1/4-20 x 3/8" LENGTH

THIRD ANGLE PROJECTION	NEXT ASSY	USED ON
	APPLICATION	

PROPRIETARY AND CONFIDENTIAL
THE INFORMATION CONTAINED IN THIS DRAWING IS THE SOLE PROPERTY OF INTEGRATED DESIGN TOOLS INC. ANY REPRODUCTION IN PART OR AS A WHOLE WITHOUT THE WRITTEN PERMISSION OF INTEGRATED DESIGN TOOLS INC. IS PROHIBITED.



INTERPRET THIS DRAWING PER ASME Y14.5M-1994

UNLESS OTHERWISE SPECIFIED:
DIMENSIONS ARE IN INCHES
TOLERANCES ON:
FRACTIONAL DECIMAL ANGULAR
± 1/16 .X ± .1 ± 1°
.XX ± .03
.XXX ± .010

DO NOT SCALE DRAWING

PROJECT NAME:

DATE	BY	CHKD	APPD
10/10/2012	BRYAN MOAK		
10/10/2012	BRYANT SHUMAKER		
10/10/2012	BRYAN MOAK		
10/10/2012	LUIZ LOURENCO		

INTEGRATED DESIGN TOOLS, INC
1 WEST MOUNTAIN STREET SUITE 3
PASADENA, CA 91103

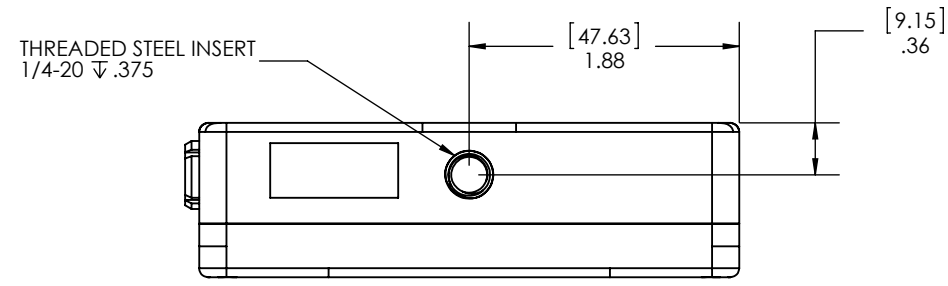
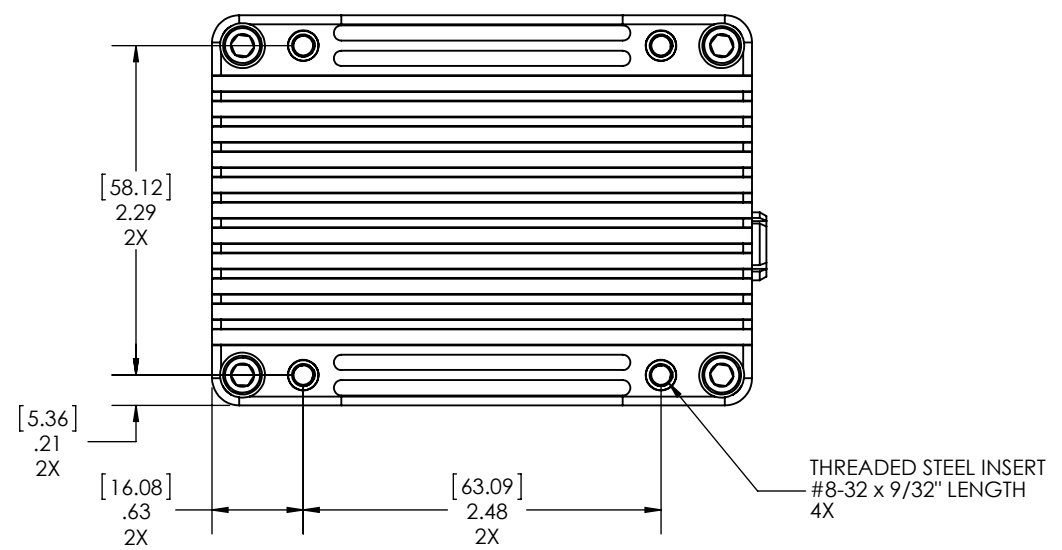
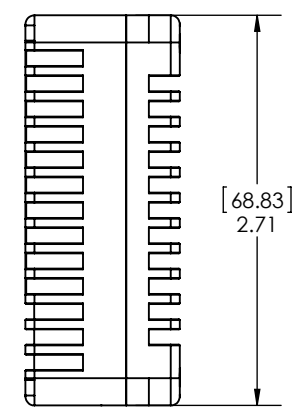
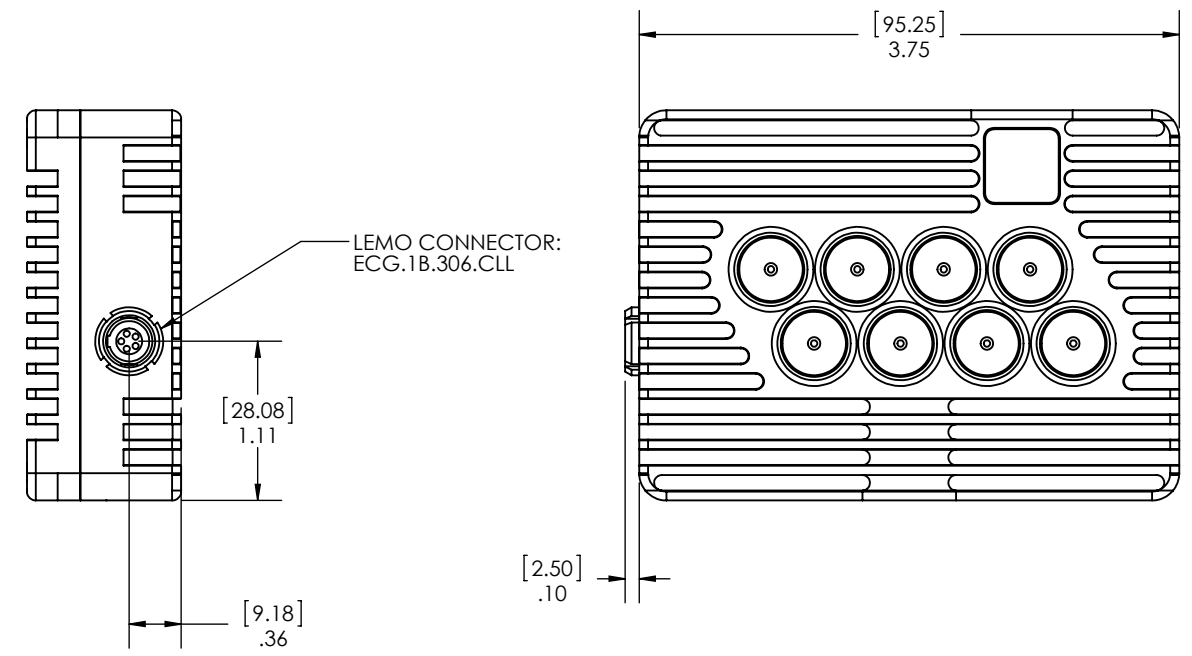
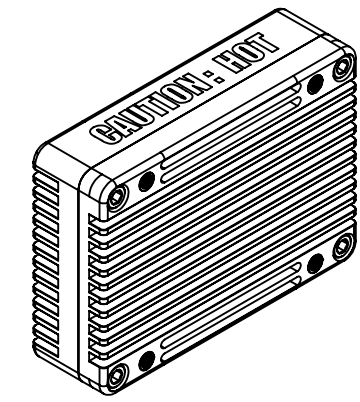
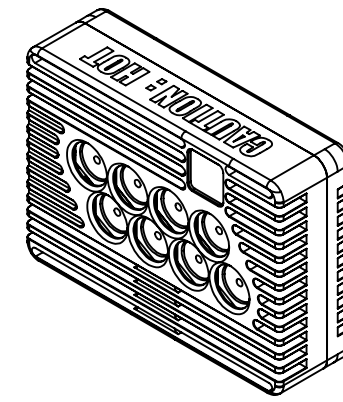
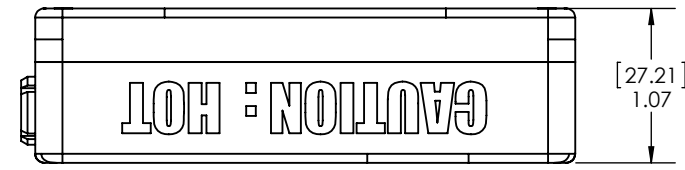
TITLE:
01-LED, 2ND GENERATION,
ICD

SIZE:	DWG. NO.	REV
B	1063-0100 ICD	A

SCALE: 1:1 DATE: 10/10/2012 SHEET 1 OF 1

INTERFACE CONTROL DOCUMENT

REVISIONS				
ZONE	REV.	DESCRIPTION	DATE	APPROVED
	A	INITIAL RELEASE	10/10/2012	B. MOAK

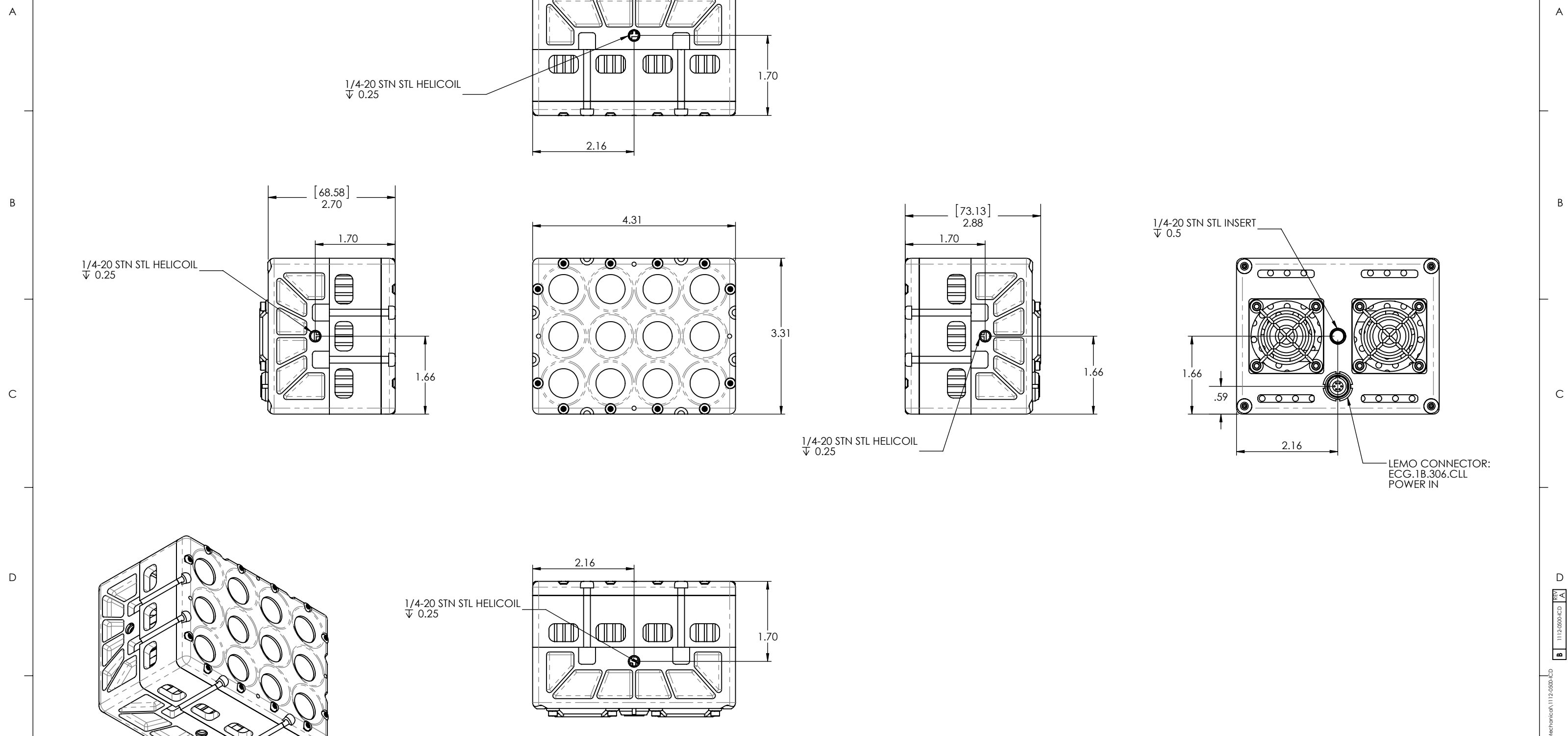


THIRD ANGLE PROJECTION	NEXT ASSY	USED ON
	APPLICATION	

<small>PROPRIETARY AND CONFIDENTIAL</small> THE INFORMATION CONTAINED IN THIS DRAWING IS THE SOLE PROPERTY OF INTEGRATED DESIGN TOOLS, INC. ANY REPRODUCTION IN PART OR AS A WHOLE WITHOUT THE WRITTEN PERMISSION OF INTEGRATED DESIGN TOOLS, INC. IS PROHIBITED.	INTERPRET THIS DRAWING PER ASME Y14.5M-1994 UNLESS OTHERWISE SPECIFIED: DIMENSIONS ARE IN INCHES TOLERANCES ON: FRACTIONAL DECIMAL ANGULAR $\pm 1/16$.X $\pm .1$ $\pm 1^\circ$.XX $\pm .03$.XXX $\pm .010$	PROJECT NAME: INTEGRATED DESIGN TOOLS, INC 1 WEST MOUNTAIN STREET SUITE 3 PASADENA, CA 91103	TITLE: 8-LED, 2ND GENERATION, ICD
	DO NOT SCALE DRAWING	PROJECT MANAGER: LUIZ LOURENCO 10/10/2012	DWG. NO. 1092-0000 ICD

INTERFACE CONTROL DOCUMENT

REVISIONS				
ZONE	REV.	DESCRIPTION	DATE	APPROVED
	A	INITIAL RELEASE	10/10/2012	B. MOAK



PROPRIETARY AND CONFIDENTIAL <small>THE INFORMATION CONTAINED IN THIS DRAWING IS THE SOLE PROPERTY OF INTEGRATED DESIGN TOOLS INC. ANY REPRODUCTION IN PART OR AS A WHOLE WITHOUT THE WRITTEN PERMISSION OF INTEGRATED DESIGN TOOLS INC IS PROHIBITED.</small>	INTERPRET THIS DRAWING PER ASME Y14.5M-1994 UNLESS OTHERWISE SPECIFIED: DIMENSIONS ARE IN INCHES TOLERANCES ON: FRACTIONAL DECIMAL ANGULAR $\pm 1/16$.X $\pm .1$ $\pm 1^\circ$.XX $\pm .03$.XXX $\pm .010$	PROJECT NAME: INTEGRATED DESIGN TOOLS, INC <small>1 WEST MOUNTAIN STREET SUITE 3 PASADENA, CA 91103</small>	TITLE: 12-LED, 2ND GENERATION, ICD																																
	<small>DO NOT SCALE DRAWING</small>	<table border="1"> <tr> <td>DATE:</td> <td>10/10/2012</td> </tr> <tr> <td>DESIGNER:</td> <td>BRYAN MOAK</td> </tr> <tr> <td>DRWG. ENGINEER:</td> <td>BRYANT SHUMAKER</td> </tr> <tr> <td>MECH. ENGINEER:</td> <td>BRYAN MOAK</td> </tr> <tr> <td>QUALITY ASSURANCE:</td> <td></td> </tr> <tr> <td>OPERATION MANAGER:</td> <td></td> </tr> <tr> <td>PROGRAM MANAGER:</td> <td>LUIZ LOURENCO</td> </tr> </table>	DATE:	10/10/2012	DESIGNER:	BRYAN MOAK	DRWG. ENGINEER:	BRYANT SHUMAKER	MECH. ENGINEER:	BRYAN MOAK	QUALITY ASSURANCE:		OPERATION MANAGER:		PROGRAM MANAGER:	LUIZ LOURENCO	<table border="1"> <tr> <td>DATE:</td> <td>10/10/2012</td> </tr> <tr> <td>DATE:</td> <td>10/10/2012</td> </tr> <tr> <td>DATE:</td> <td>10/10/2012</td> </tr> </table>	DATE:	10/10/2012	DATE:	10/10/2012	DATE:	10/10/2012	<table border="1"> <tr> <td>SIZE:</td> <td>B</td> <td>DWG. NO.</td> <td>1112-0500-ICD</td> <td>REV</td> <td>A</td> </tr> <tr> <td>SCALE:</td> <td>1:2</td> <td>DATE:</td> <td>10/10/2012</td> <td colspan="2">SHEET 1 OF 1</td> </tr> </table>	SIZE:	B	DWG. NO.	1112-0500-ICD	REV	A	SCALE:	1:2	DATE:	10/10/2012	SHEET 1 OF 1
DATE:	10/10/2012																																		
DESIGNER:	BRYAN MOAK																																		
DRWG. ENGINEER:	BRYANT SHUMAKER																																		
MECH. ENGINEER:	BRYAN MOAK																																		
QUALITY ASSURANCE:																																			
OPERATION MANAGER:																																			
PROGRAM MANAGER:	LUIZ LOURENCO																																		
DATE:	10/10/2012																																		
DATE:	10/10/2012																																		
DATE:	10/10/2012																																		
SIZE:	B	DWG. NO.	1112-0500-ICD	REV	A																														
SCALE:	1:2	DATE:	10/10/2012	SHEET 1 OF 1																															

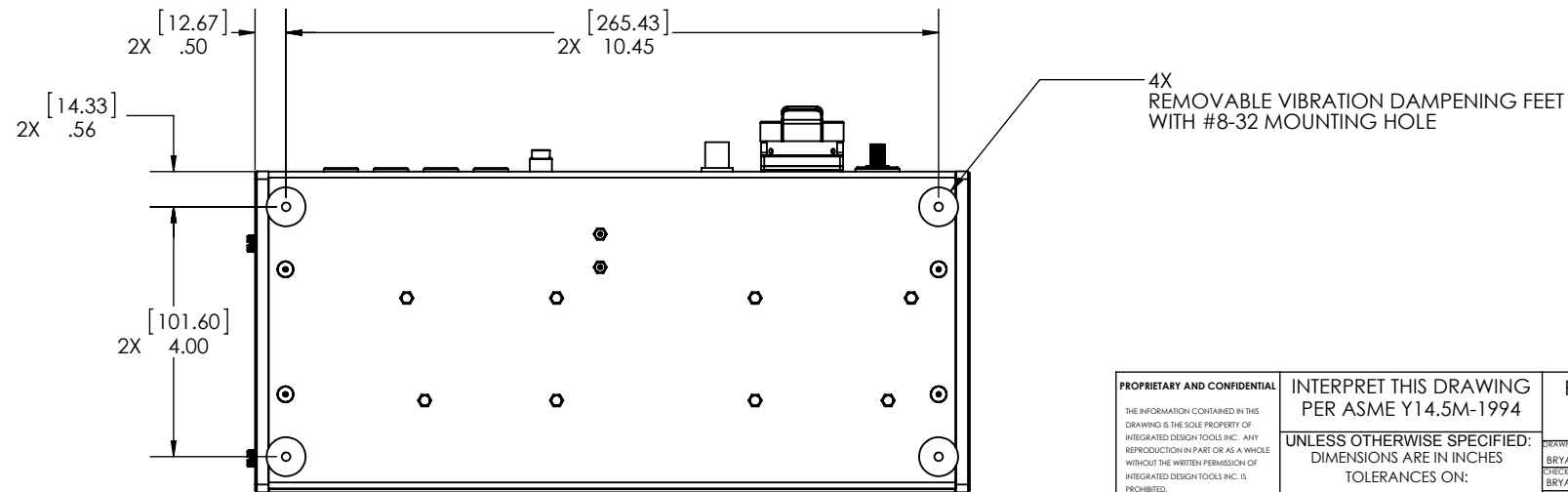
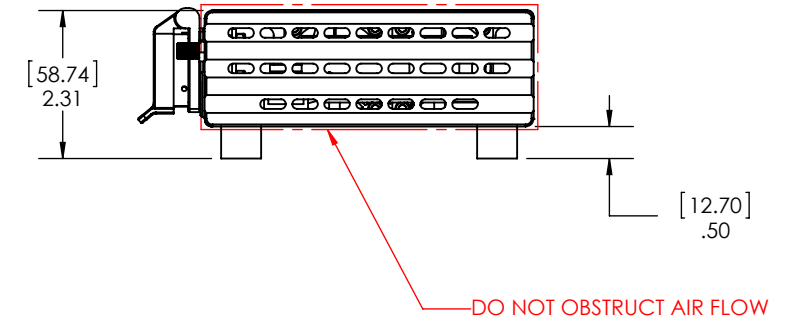
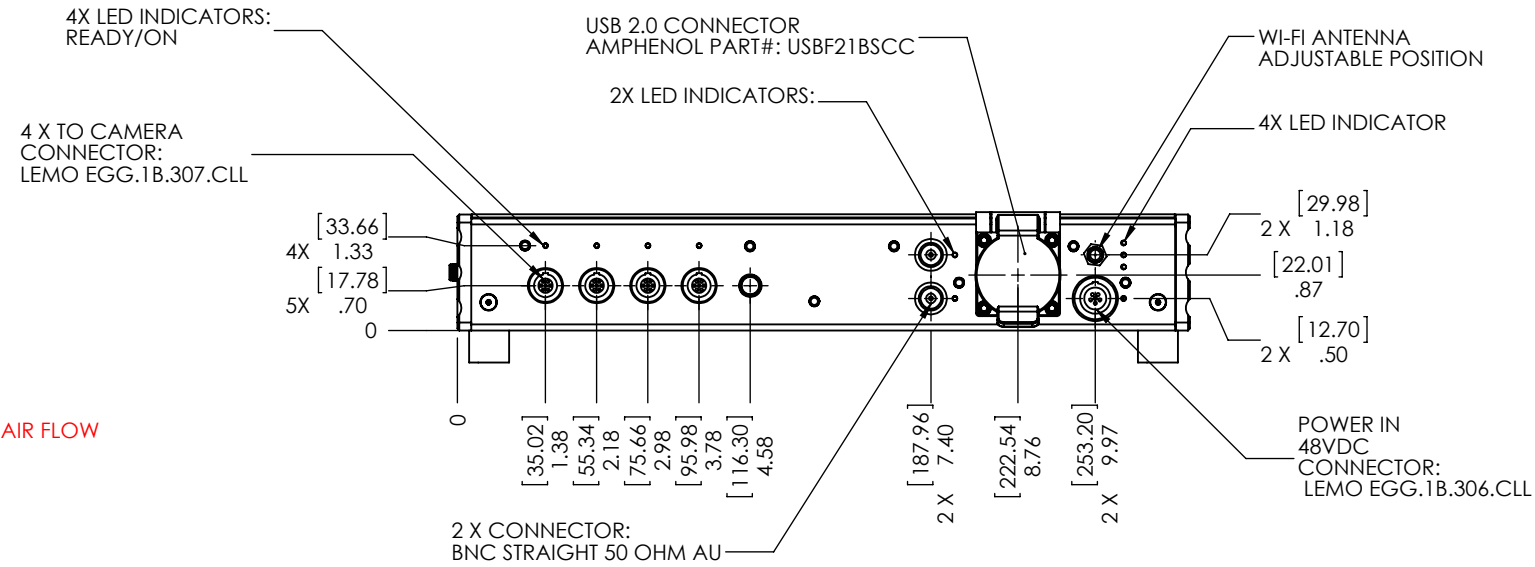
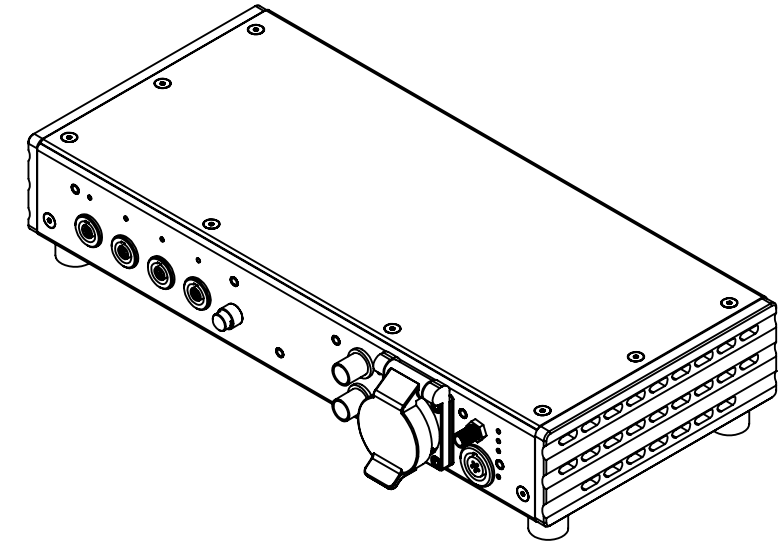
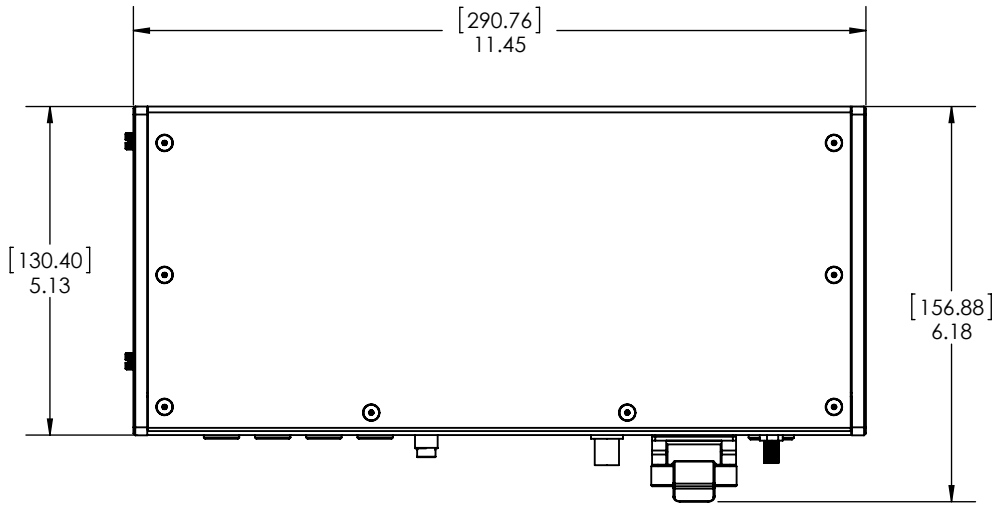
THIRD ANGLE PROJECTION	
NEXT ASSY	USED ON
APPLICATION	



B 1112-0500-ICD
 A
 1112-0500-ICD
 10/10/2012 10:39:28 AM
 Break: 1112-LED-LED-1112-0500-12-LED-HEAD-Mechanics\1112-0500-CD

INTERFACE CONTROL DOCUMENT

REVISIONS				
ZONE	REV.	DESCRIPTION	DATE	APPROVED
	A	INITIAL RELEASE	11/05/2012	B. MOAK



THIRD ANGLE PROJECTION	APPLICATION	NEXT ASSY	USED ON

PROPRIETARY AND CONFIDENTIAL

THE INFORMATION CONTAINED IN THIS DRAWING IS THE SOLE PROPERTY OF INTEGRATED DESIGN TOOLS INC. ANY REPRODUCTION IN PART OR AS A WHOLE WITHOUT THE WRITTEN PERMISSION OF INTEGRATED DESIGN TOOLS INC. IS PROHIBITED.

INTERPRET THIS DRAWING PER ASME Y14.5M-1994

UNLESS OTHERWISE SPECIFIED: DIMENSIONS ARE IN INCHES

TOLERANCES ON:

FRACTIONAL DECIMAL ANGULAR

± 1/16 .X ± .1 ± 1°

.XX ± .03

.XXX ± .010

DO NOT SCALE DRAWING

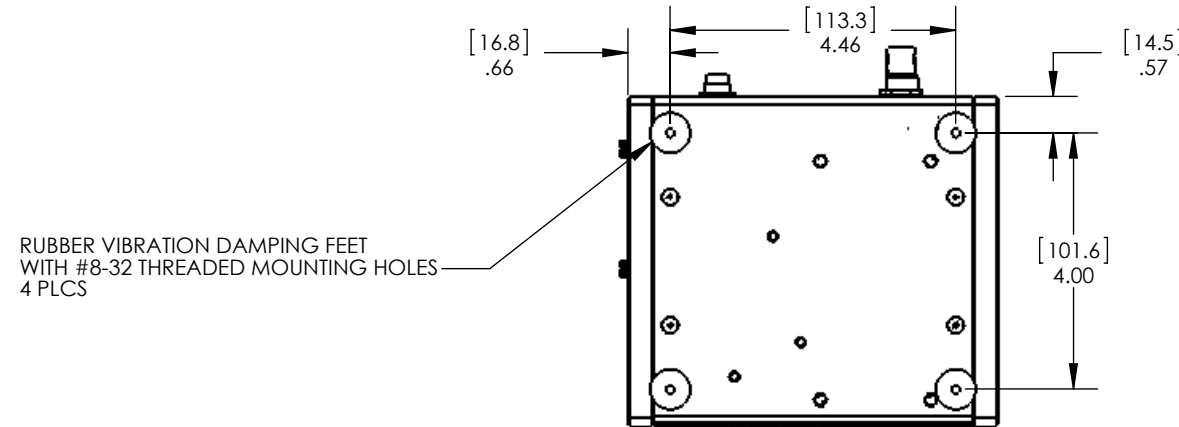
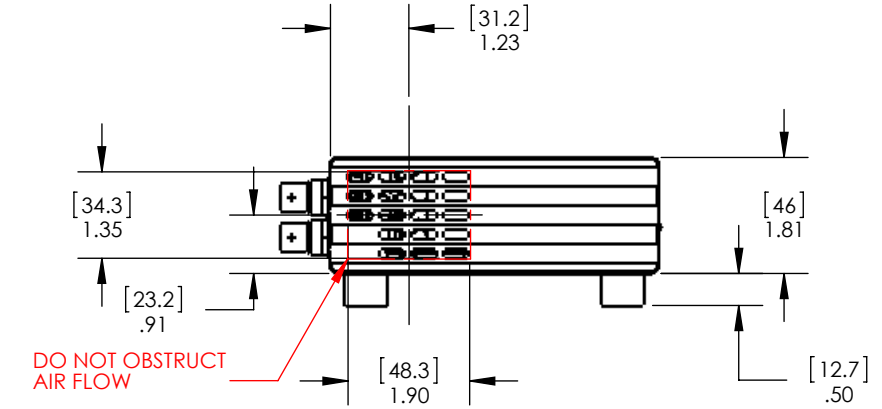
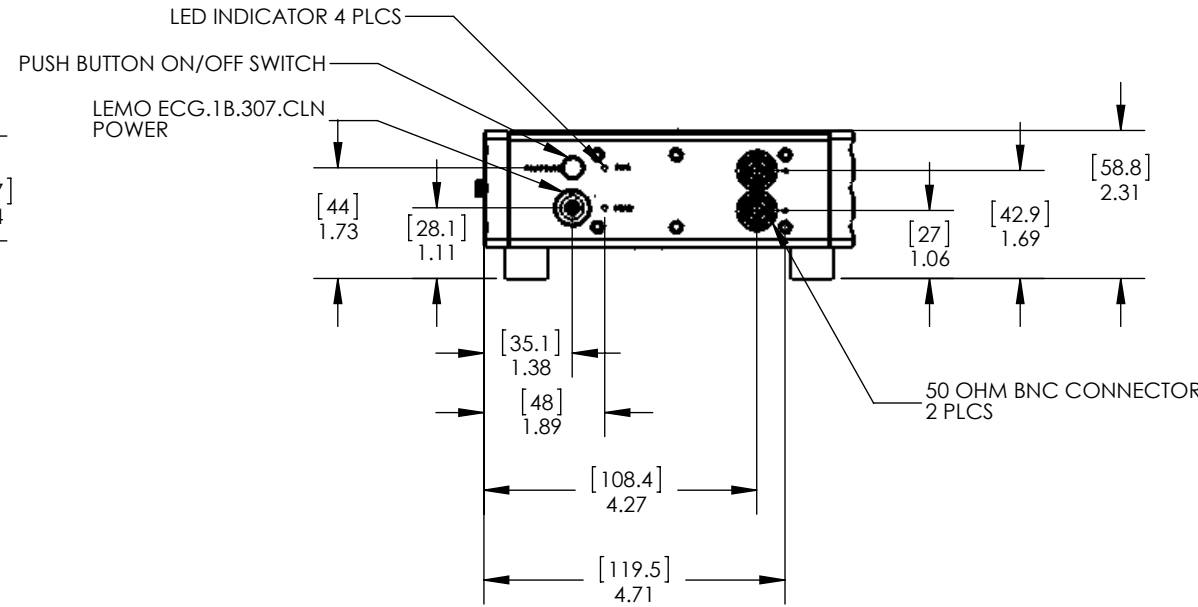
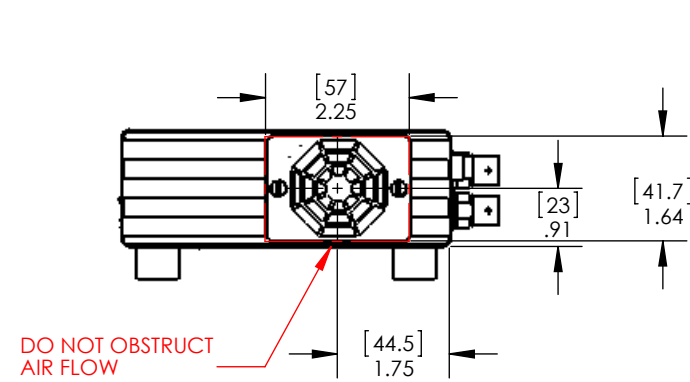
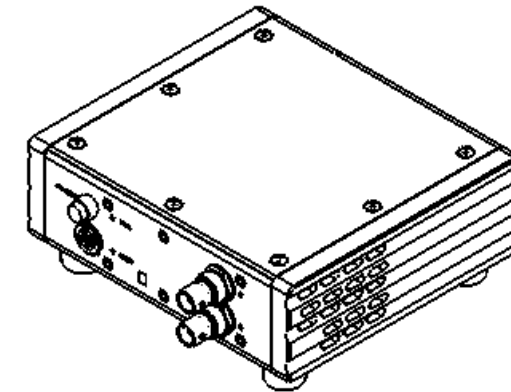
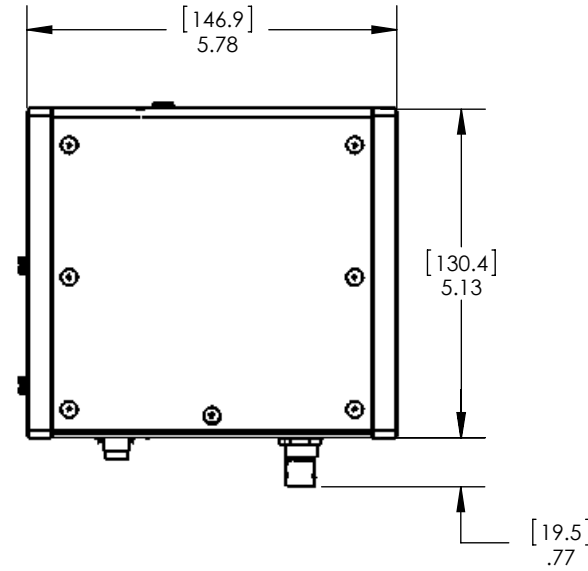
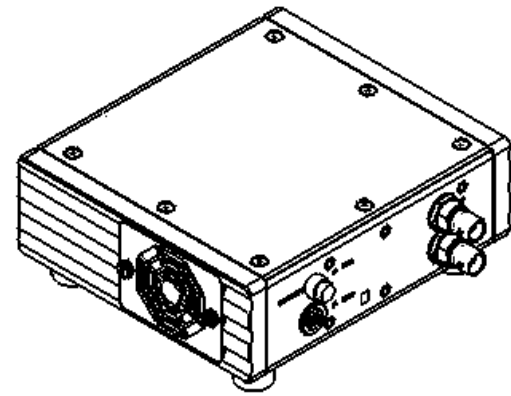
PROJECT NAME:	DATE:
INTEGRATED DESIGN TOOLS, INC	11/05/2012
1 WEST MOUNTAIN STREET SUITE 3 PASADENA, CA 91103	11/05/2012
DESIGNED BY: BRYAN MOAK	11/05/2012
DRAWN BY: BRYANT SHUMAKER	11/05/2012
CHECKED BY: BRYAN MOAK	11/05/2012
APPROVED BY: CHRIS CROICU	11/05/2012
OPERATION MANAGER:	
PROGRAM MANAGER: LUIZ LOURENCO	11/05/2012

TITLE:	SIZE:	DWG. NO.	REV
CONTROLLER, LED-12	B	1112-0400-ICD	A
SCALE: 1:3		DATE: 11/5/2012	SHEET 1 OF 1

Monday, November 05, 2012 3:12:20 PM
 Block: 1112-LED-12-0400-12-LED-Controller-2nd Generation-Mechanical-1112-0400-ICD
 REV A
 1112-0400-ICD
 B

INTERFACE CONTROL DOCUMENT

REVISIONS				
ZONE	REV.	DESCRIPTION	DATE	APPROVED
	A	ECO-12-059, INITIAL RELEASE	7/26/2012	B. MOAK



THIRD ANGLE PROJECTION		
	NEXT ASSY	USED ON
	APPLICATION	

PROPRIETARY AND CONFIDENTIAL <small>THE INFORMATION CONTAINED IN THIS DRAWING IS THE SOLE PROPERTY OF INTEGRATED DESIGN TOOLS INC. ANY REPRODUCTION IN PART OR AS A WHOLE WITHOUT THE WRITTEN PERMISSION OF INTEGRATED DESIGN TOOLS INC. IS PROHIBITED.</small>	INTERPRET THIS DRAWING PER ASME Y14.5M-1994 UNLESS OTHERWISE SPECIFIED: DIMENSIONS ARE IN INCHES TOLERANCES ON: FRACTIONAL DECIMAL ANGULAR ± 1/16 .X ± .1 ± 1° .XX ± .03 .XXX ± .010	PROJECT NAME: INTEGRATED DESIGN TOOLS, INC 1 WEST MOUNTAIN STREET SUITE 3 PASADENA, CA 91103	TITLE: 8/12-LED, SINGLE CONTROLLER, 2ND GENERATION, ICD	
	DO NOT SCALE DRAWING	DATE: 7/26/2012 BRYAN MOAK CHECKED: DENNIS MANGROBANG DIRECT ENGINEER: ERIC H. ELECTRICAL ENGINEER: CHRIS CROICU OPERATION MANAGER: LUIZ LOURENCO	DATE: 7/26/2012 DATE: 11/9/2012	REV A
		SCALE: 1:3	DWG. NO. 1112-0600-ICD	SHEET 1 OF 1
			SIZE: B	