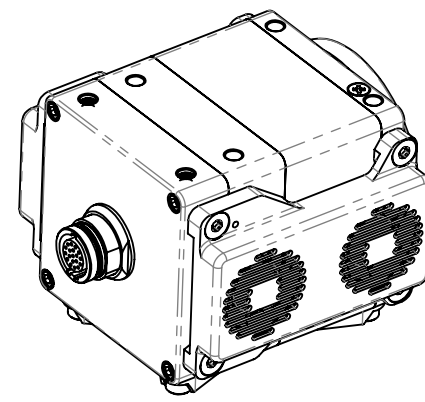
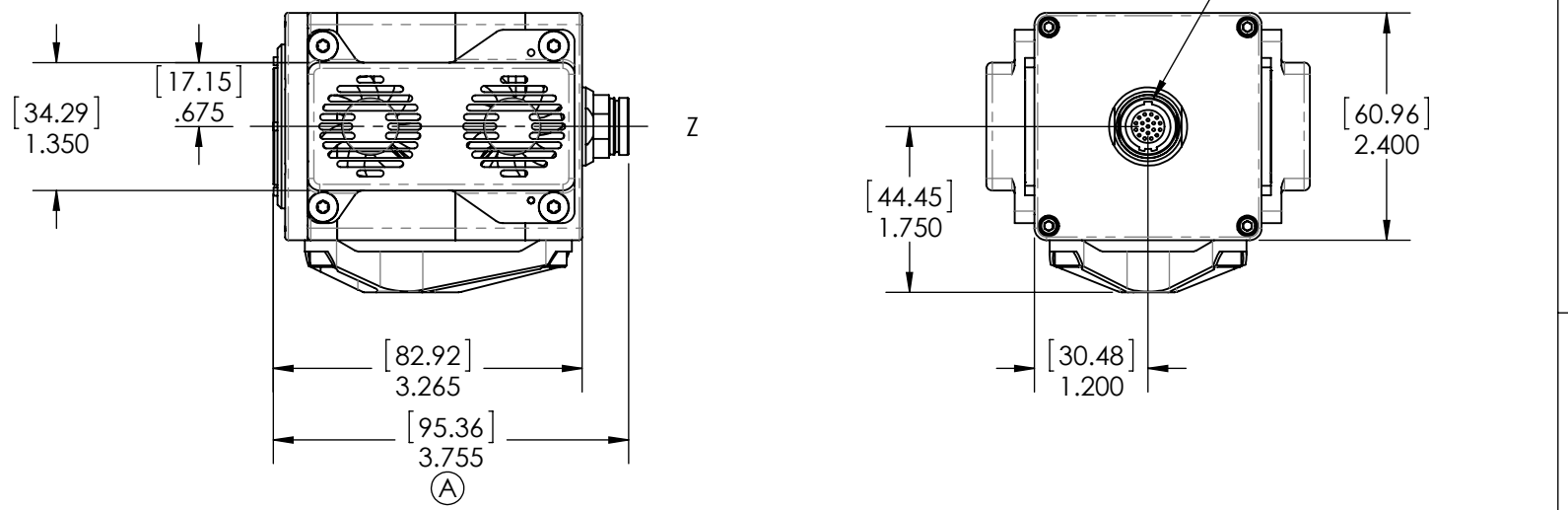
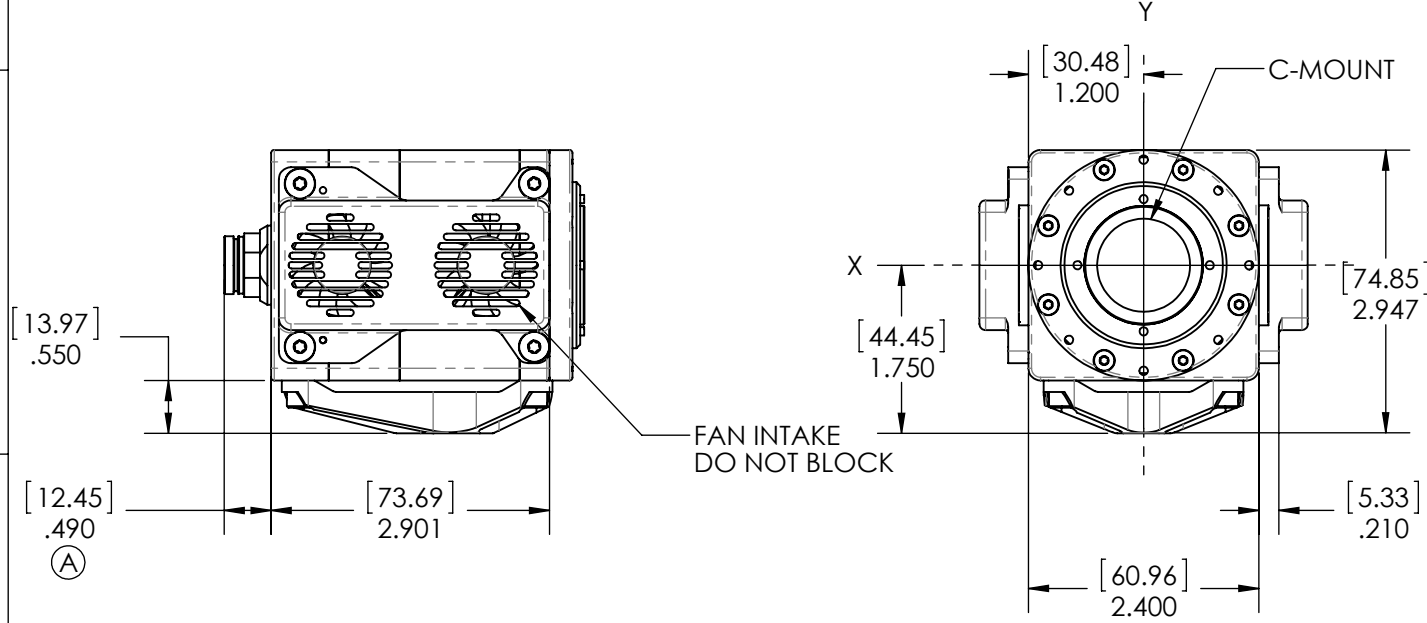
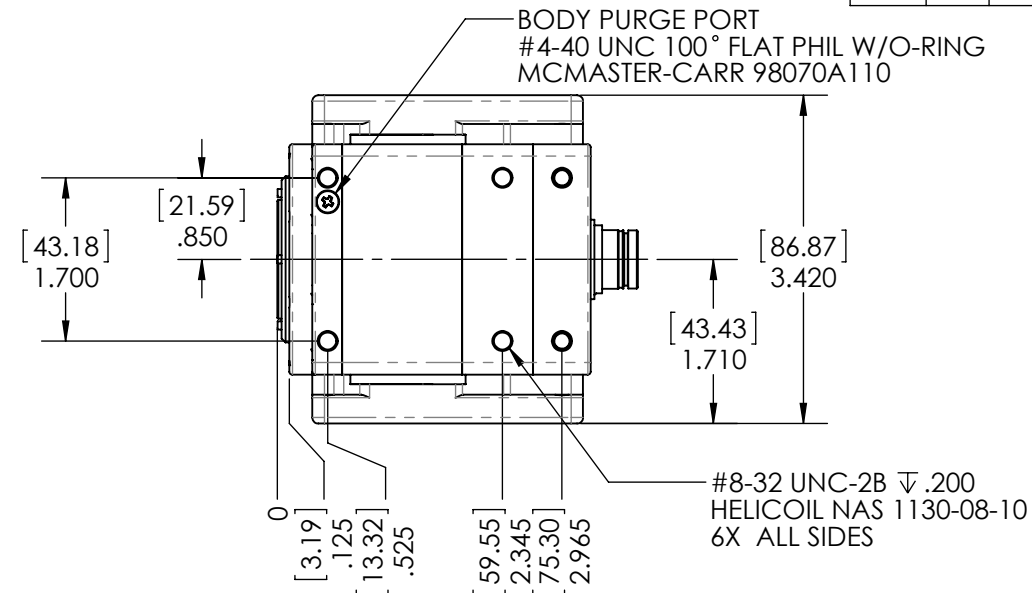
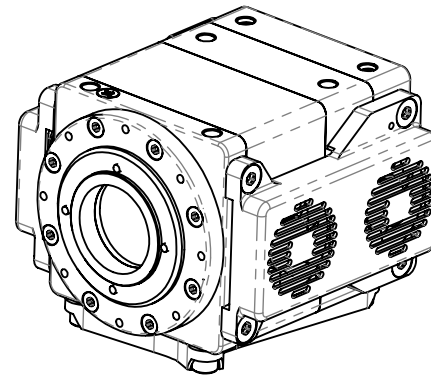


INTERFACE CONTROL DOCUMENT

1. MASS PROPERTIES: MASS = 1.09 POUNDS
 CENTER OF MASS: (INCHES) X = 0.011 Y = -0.100 Z = 1.47

REVISIONS				
ZONE	REV.	DESCRIPTION	DATE	APPROVED
	01	INITIAL RELEASE	4/15/2013	EMH
	02	PILOT PRODUCTION RELEASE	7/2/2013	EMH
	03	NEW COOLING DESIGN WITH SIDE FAN PACKS. UPDATED SHEET FORMAT.	11/18/2013	B. MOAK
D3, D8	A	RELEASE OF DOCUMENT TO PRODUCTION. REMOVED PROGRAM MANAGER NAME. REPLACED LEMO CONNECTOR WITH ACTUAL FILE FROM VENDOR. DISTANCE FROM HOUSING TO LEMO END GREW BY .007. D3 & D8	2/26/2014	B. MOAK



PROPRIETARY AND CONFIDENTIAL THE INFORMATION CONTAINED IN THIS DRAWING IS THE SOLE PROPERTY OF INTEGRATED DESIGN TOOLS, INC. ANY REPRODUCTION IN PART OR AS A WHOLE WITHOUT THE WRITTEN PERMISSION OF INTEGRATED DESIGN TOOLS, INC. IS PROHIBITED.	INTERPRET THIS DRAWING PER ASME Y14.5M-1994	PROJECT NAME: OS CAMERA	INTEGRATED DESIGN TOOLS, INC 1 WEST MOUNTAIN STREET SUITE 3 PASADENA, CA 91103
	UNLESS OTHERWISE SPECIFIED: DIMENSIONS ARE IN INCHES TOLERANCES ON: FRACTIONAL DECIMAL ANGULAR ± 1/16 .X ± .1 ± 1° .XX ± .03 .XXX ± .010	DRAWN: E. HEININGER 4/15/2013 CHECKED: B. SHUMAKER 4/15/2013 REVISION ENGINEER: E. HEININGER 4/15/2013 QUALITY ASSURANCE: OPERATION MANAGER: PROGRAM MANAGER: 4/15/2013	TITLE: INTERFACE CONTROL DOCUMENT (ICD), OS CAMERA

THIRD ANGLE PROJECTION		
⊕	+	
	NEXT ASSY	USED ON
	APPLICATION	

