

NOTES: UNLESS OTHERWISE SPECIFIED

1. SENSOR POSITIONAL TOLERANCE (ENGLISH) $\oplus \ominus \varnothing .02 \text{ (M) A}$

2. SENSOR ANGULAR POINTING ACCURACY .5 DEG MAXIMUM.

REVISIONS					
ZONE	REV	DESCRIPTION	DFTR	CHKR	APPD
	A	INITIAL RELEASE	E.HEININGER 10/03/08		

T-MOUNT
M42 X .75

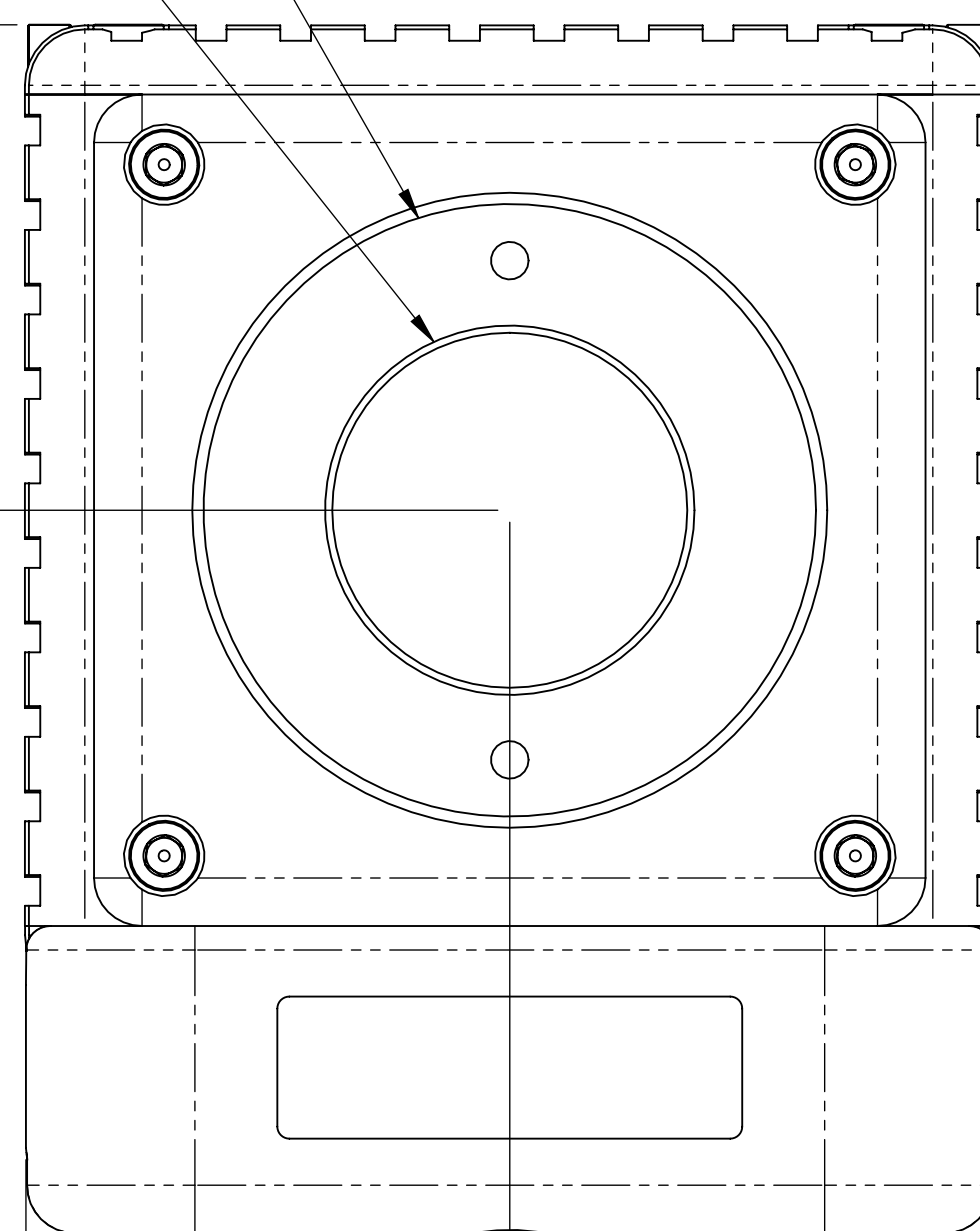
C-MOUNT
1.000-32 TPI

#8-32 UNC ∇ .28 -1 ONLY
M4 ∇ 7mm -3 ONLY
MOUNTING HOLE
6X

FOCAL ADJUSTMENT
LOCK

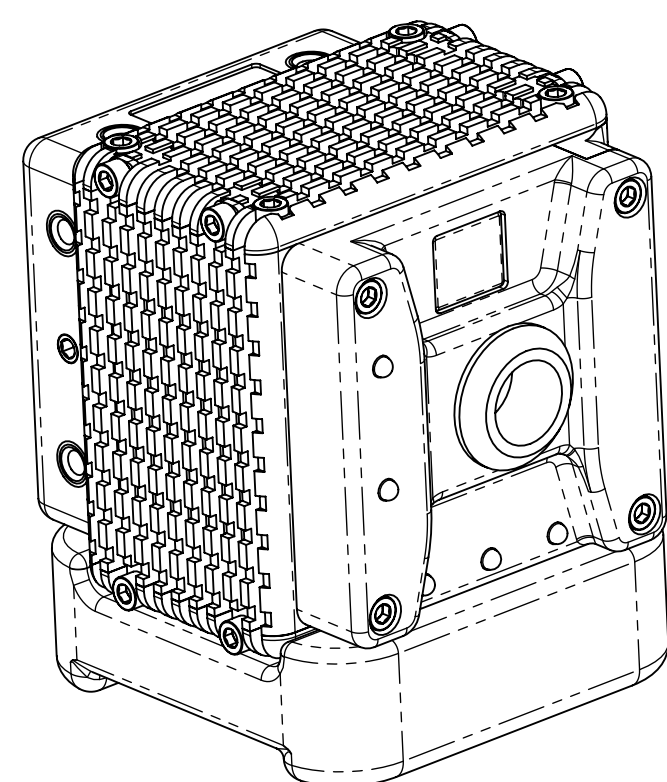
[79.93]
3.147

[47.82]
1.883



[32]
1.260

[64.01]
2.520



[15.37]
.605

[48.64]
1.915

[9.40]
.370

[10]
.394

[64.46]
2.538

[31.18]
1.228

1/4-20 ∇ .38 MOUNT
3X

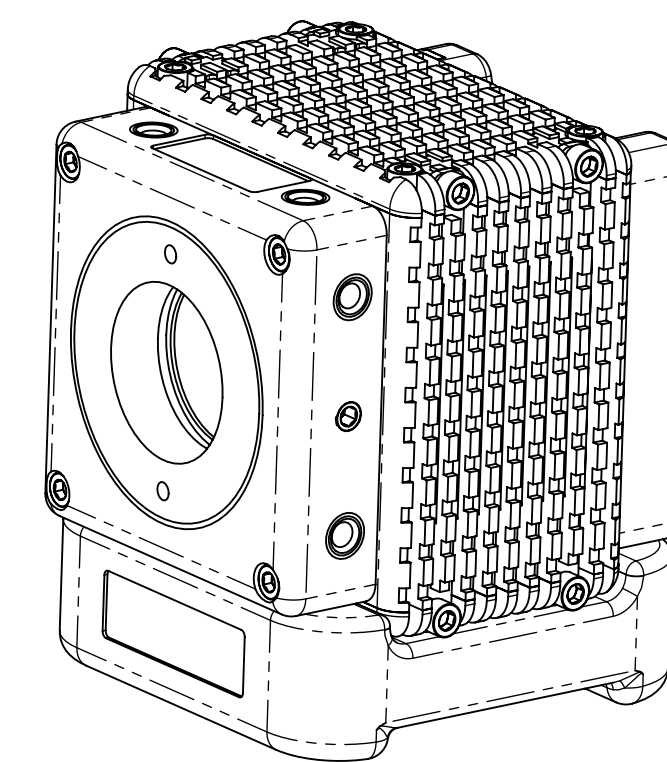
[32]
1.260

FAN HOUSING

[8.64]
.340

[11.37]
.448

[60.20]
2.370



LEMO 16POS SIZE 2

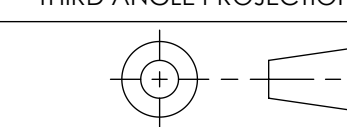
[47.82]
1.883

[29.41]
1.158

**-1 ASSY SHOWN
-3 ASSY SAME AS -1 EXCEPT AS NOTED**

THIS DRAWING CREATED USING SOLIDWORKS 2008
FILE NO. assy-1082-4pcb-SINGLE-CONNECTOR

THIRD ANGLE PROJECTION



UNIFIED		PROD NO	DATE		Integrated Design Tools	
UNLESS OTHERWISE SPECIFIED		DSGN			1804 Miccosukee Commons Drive, Suite 208, Tallahassee, FL 32308	
DIMENSIONS ARE IN INCHES AND APPLY AFTER SURFACE TREATMENT		CHKR			TITLE	
TOLERANCES (INCHES)		ELEC ENGR			INTERFACE CONTROL DOC. (ICD)	
LINEAR	ANGULAR	MECH ENGR			N-CAMERA, SINGLE CONNECTOR	
.X ±.1	EXCL OF SHEET METAL FLANGES ± 0° 30'	P.E.			SIZE PROJECT DRAWING NO. REV	
.XX ±.02		MFG ENGR			D N-CAMERA 1082-0018 A	
.XXX ±.010		MFG			SCALE: 2:1 FILE: 1082-0018 SHEET 1 OF 1	
HOLE DIA	TOLERANCES	Q.A.				
.0135 - .250	+ .005 - .001	CONFIG				
.251 - .500	+ .006 - .001	REGULATORY				
.501 - 1.000	+ .010 - .001					
DO NOT SCALE DRAWING						

4.12.2. Back Views

