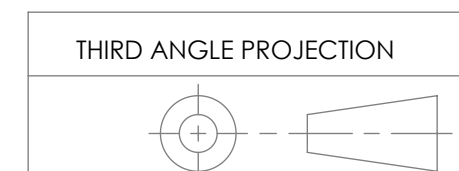
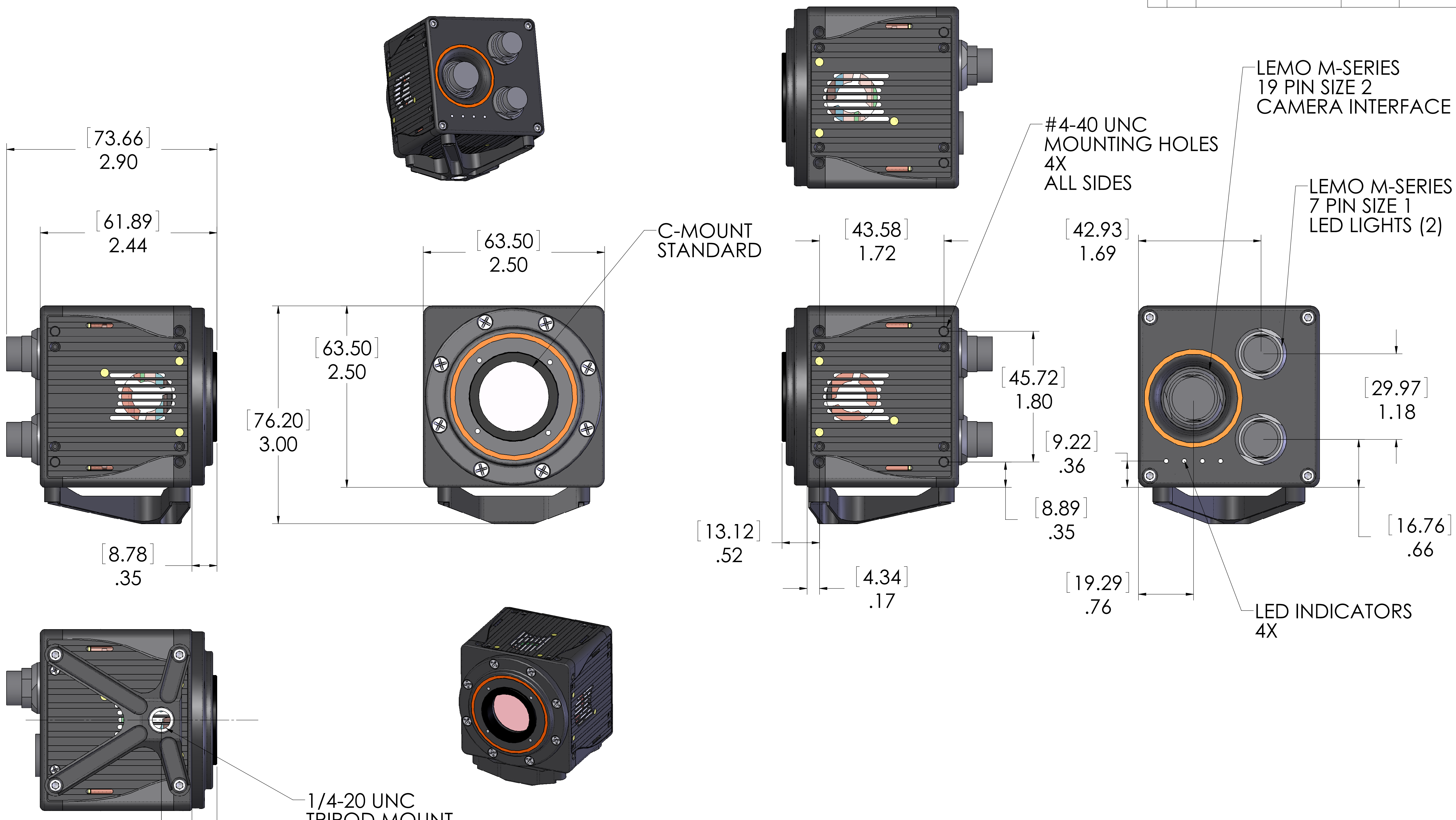


NOTES: UNLESS OTHERWISE SPECIFIED

REVISIONS				
ZONE	REV.	DESCRIPTION	DATE	APPROVED
	01	INITIAL RELEASE	2/02/2012	EMH



APPLICATION	
NONE	NX-TRA CAMERA
NEXT ASSY	USED ON

PROPRIETARY & CONFIDENTIAL
 THE INFORMATION CONTAINED IN THIS DRAWING IS THE SOLE PROPRIETARY OF INTEGRATED DESIGN TOOLS, INC. ANY REPRODUCTION IN PART OR AS A WHOLE WITHOUT THE WRITTEN PERMISSION OF IDT IS PROHIBITED.

INTERPRET THIS DRAWING PER ASME Y14.5M-1994
 UNLESS OTHERWISE SPECIFIED:
 DIMENSIONS ARE IN INCHES
 TOLERANCES ON:
 FRACTIONAL DECIMAL ANGULAR
 ± 1/16 .X ± .1 ± 1°
 .XX ± .03
 .XXX ± .010
DO NOT SCALE DRAWING

PROJECT NAME:
 NX-TRA SERIES CAMERA
 DRAWN: _____ DATE: _____
 Checked: _____
 Mech Engineer: _____
 Elec Engineer: _____
 Quality Assurance: _____
 Operation Manager: _____
 Program Manager: _____

INTEGRATED DESIGN TOOLS, INC
 1 WEST MOUNTAIN STREET SUITE 3
 PASADENA, CA 91103

TITLE:
 INTERFACE CONTROL DOCUMENT (ICD), NX-TRA CAMERA

SIZE	CODE IDENT.	DRAWING. NO.	REV
D		1084-0130	01

SCALE: 1:1 DATE: 1/18/2011 SHEET 1 OF 1

1084-0130 01
 1084-0130 01
 1084-0130 01