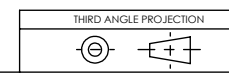
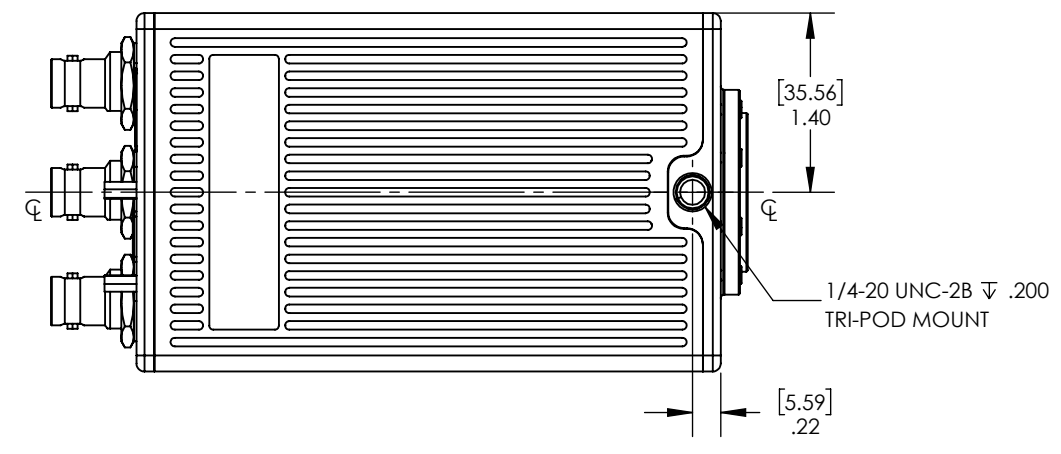
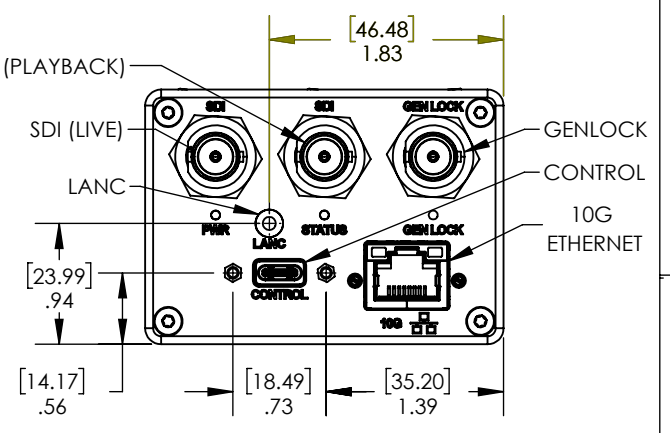
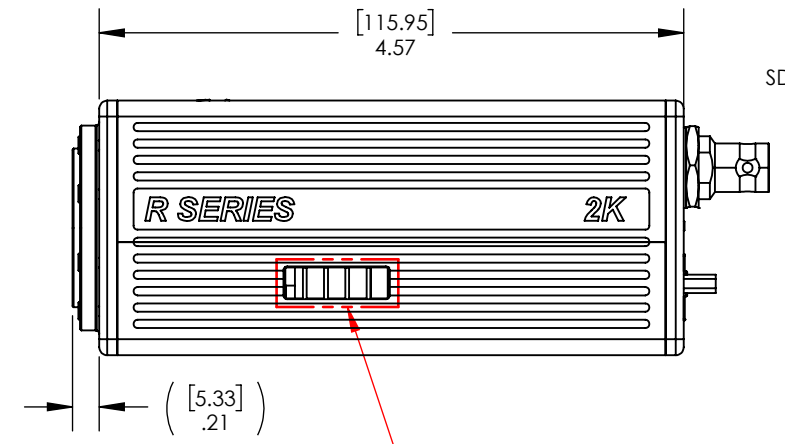
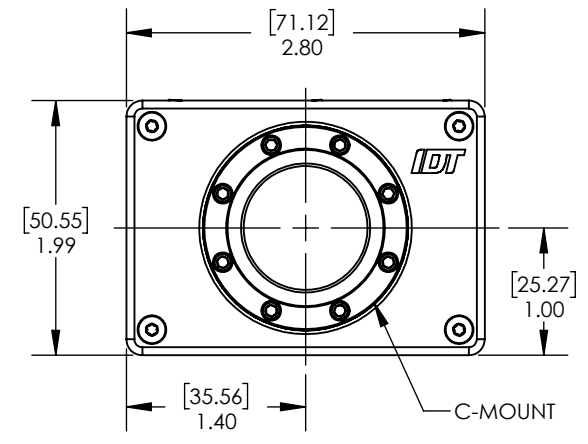
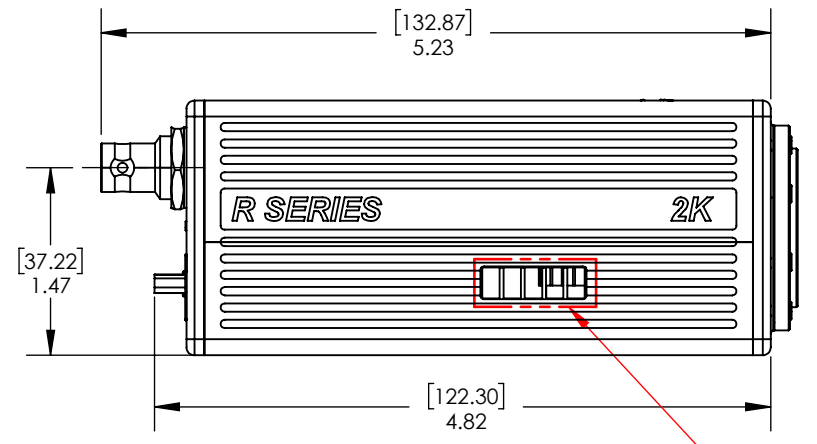
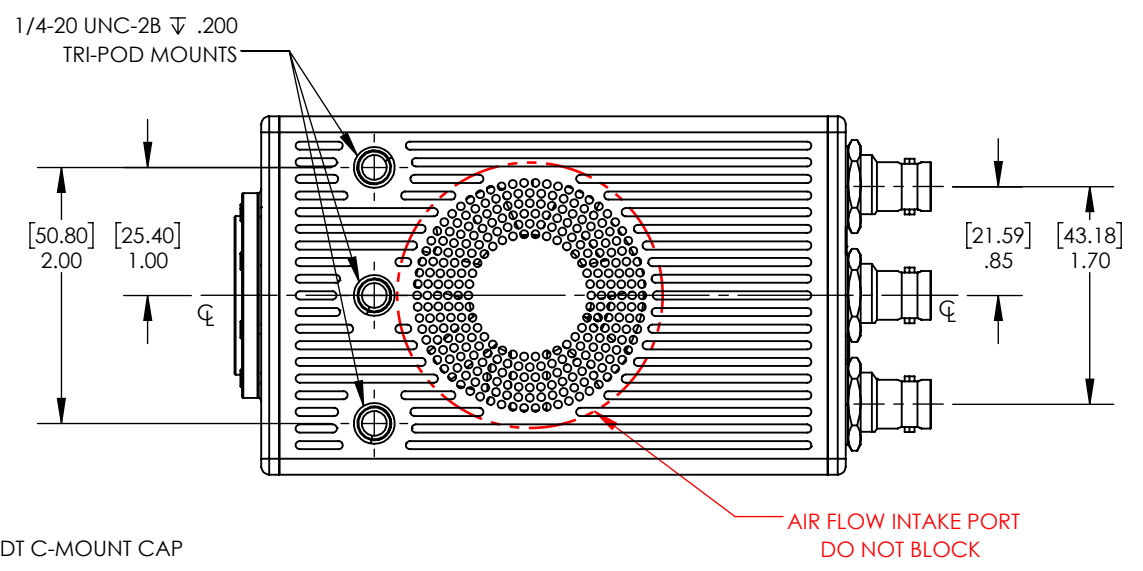


NOTES: UNLESS OTHERWISE SPECIFIED

1. INTERFACE CONTROL DOCUMENT.

REVISIONS					
ZONE	REV.	ECO #	DESCRIPTION	DATE	APPROVED
	A	-	INITIAL RELEASE FOR PRODUCTION.	12/05/2018	C. VIDAMO
	B	ECO-0506	INCORPORATE ECO ON COVER HOUSING	9/24/2019	D. ATOL



PROPRIETARY AND CONFIDENTIAL <small>THE INFORMATION CONTAINED IN THIS DRAWING IS THE SOLE PROPERTY OF INTEGRATED DESIGN TOOLS, INC. ANY REPRODUCTION IN PART OR AS A WHOLE WITHOUT THE WRITTEN PERMISSION OF INTEGRATED DESIGN TOOLS, INC. IS PROHIBITED.</small>	MATERIAL:	FINISH:	PROJECT NAME: R CAMERA	INTEGRATED DESIGN TOOLS, INC <small>1 WEST MOUNTAIN STREET SUITE 3 PASADENA, CA 91103</small>	
	UNLESS OTHERWISE SPECIFIED: DIMENSIONS ARE IN INCHES TOLERANCES ON: FRACTIONAL DECIMAL ANGULAR ± 1/16 .X ± .03 ± 1° .XX ± .01 .XXX ± .005				DRAWN: C. VIDAMO 12/05/2018 CHECKED: D. ATOL 12/05/2018 MECH. ENGINEER: C. VIDAMO 12/05/2018 ELECTRICAL ENGINEER: OPERATION MANAGER: PROGRAM MANAGER:
DO NOT SCALE DRAWING			SIZE: B	DWG. NO. 1465-0100	REV B
			SCALE: 1:8	DATE: 9/30/2019	SHEET 1 OF 1