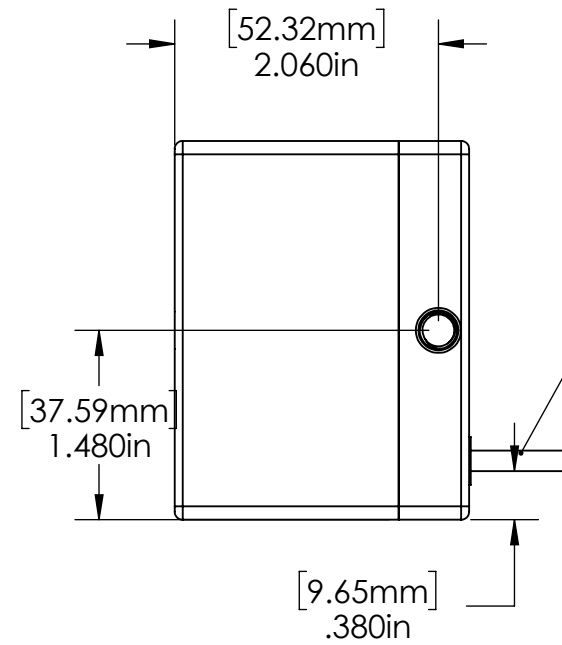
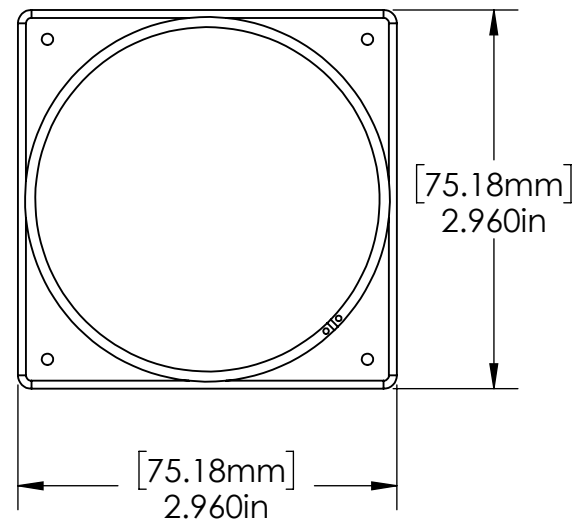
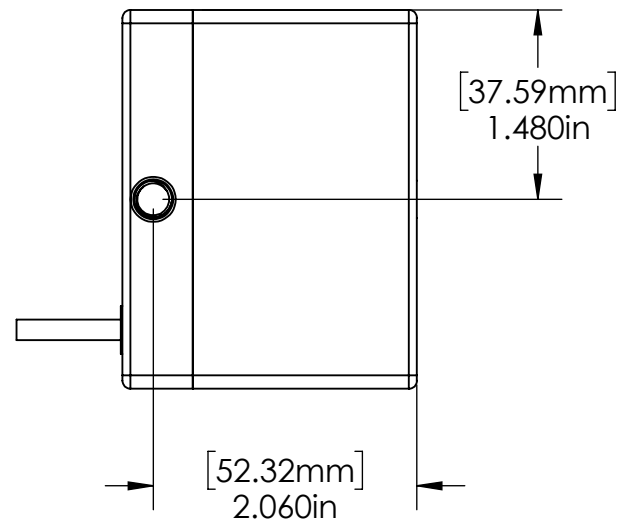
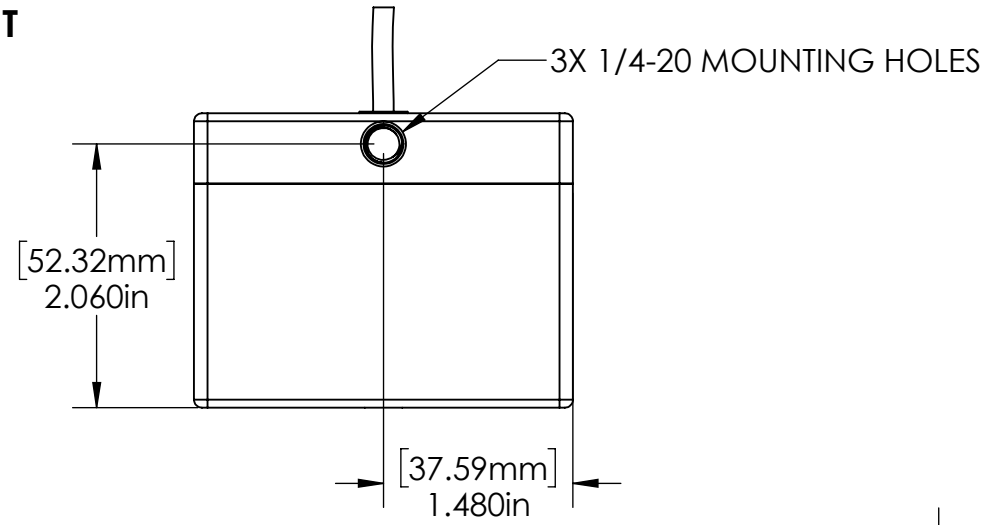
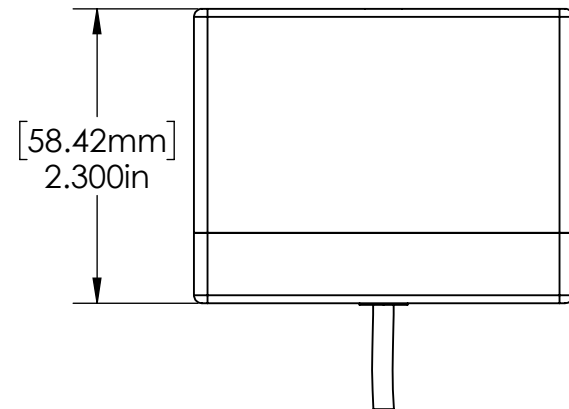
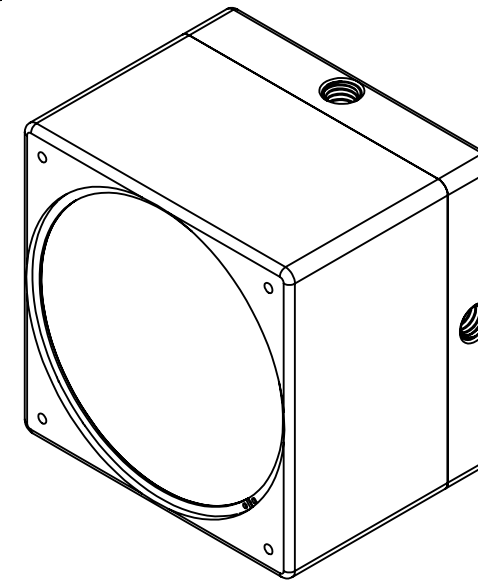


INTERFACE CONTROL DOCUMENT

REVISIONS					
ZONE	REV.	ECO #	DESCRIPTION	DATE	APPROVED
	A		INITIAL RELEASE	2/19/2018	B. MOAK



CABLE TRUNCATED FOR DISPLAY PURPOSES
 ACTUAL LENGTH: 17ft [5.2m]
 CONNECTOR: LEMO, FGA.1B.307
 MAX CABLE OD: .275in [7mm]



<p>PROPRIETARY AND CONFIDENTIAL</p> <p>THE INFORMATION CONTAINED IN THIS DRAWING IS THE SOLE PROPERTY OF INTEGRATED DESIGN TOOLS, INC. ANY REPRODUCTION IN PART OR AS A WHOLE WITHOUT THE WRITTEN PERMISSION OF INTEGRATED DESIGN TOOLS, INC. IS PROHIBITED.</p> <p>veritas truth in light</p>	<p>UNLESS OTHERWISE SPECIFIED: DIMENSIONS ARE IN INCHES TOLERANCES ON: FRACTIONAL DECIMAL ANGULAR ± 1/16 .X ± .03 ± 1° .XX ± .01 .XXX ± .005</p>	<p>PROJECT NAME: CRASH LED</p>	<p>INTEGRATED DESIGN TOOLS, INC 1 WEST MOUNTAIN STREET SUITE 3 PASADENA, CA 91103</p>	
	<p>DATE: 2/19/2018</p> <p>CHECKED: D. ATOL 2/19/2018</p> <p>MECH. ENGINEER: B. MOAK 2/19/2018</p> <p>ELECTRICAL ENGINEER:</p> <p>OPERATION MANAGER:</p> <p>PROGRAM MANAGER:</p>	<p>TITLE: FINAL ASSY, CRASH LED, 28 DEG, ICD</p>	<p>SIZE: B</p>	<p>REV A</p>
	<p>DO NOT SCALE DRAWING</p>	<p>SCALE: 1:1</p>	<p>DWG. NO. 1064-4000</p>	<p>DATE: 2/19/2018</p>
	<p>THIRD ANGLE PROJECTION</p>	<p>SHEET 1 OF 1</p>		

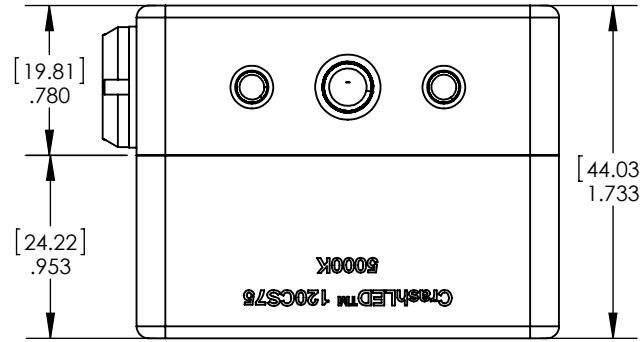
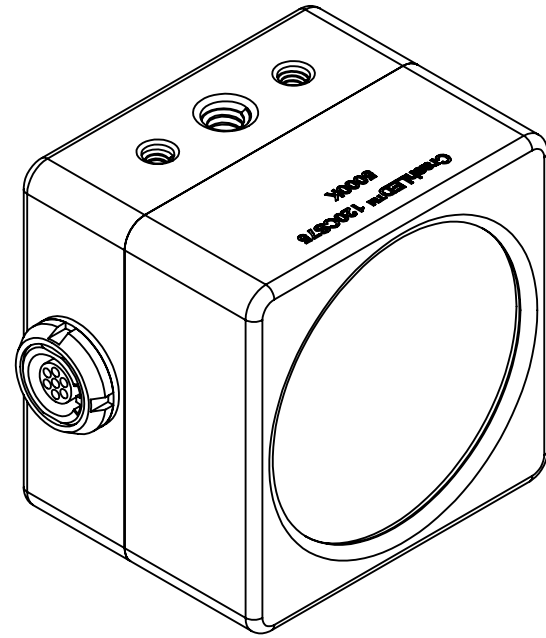
INTERFACE CONTROL DOCUMENT

1. MASS PROPERTIES: MASS = 0.625 LBS; 10 OZ; 284 GRAMS
 CENTER OF MASS: (INCHES) X=X.X, Y=X.X, Z=X.X

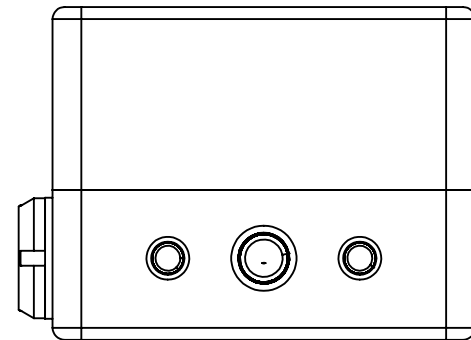
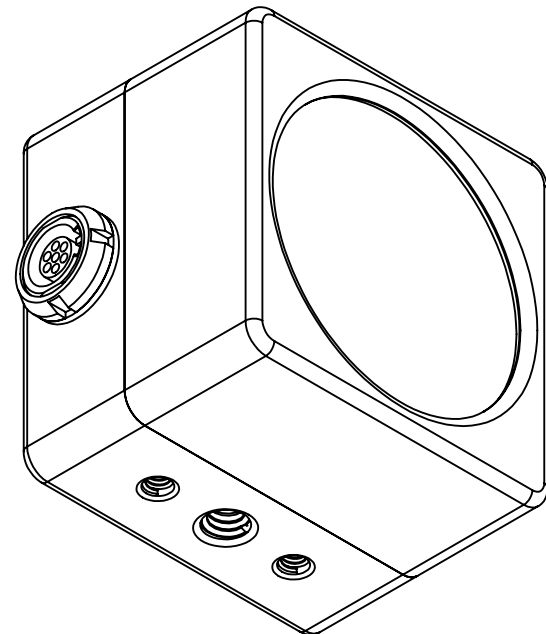
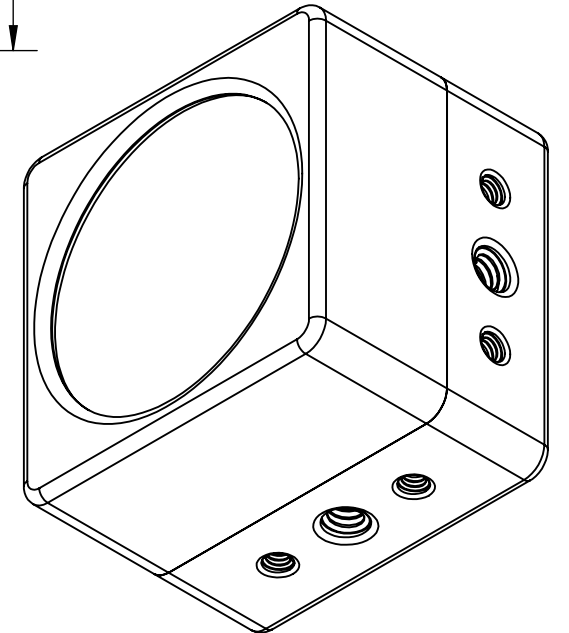
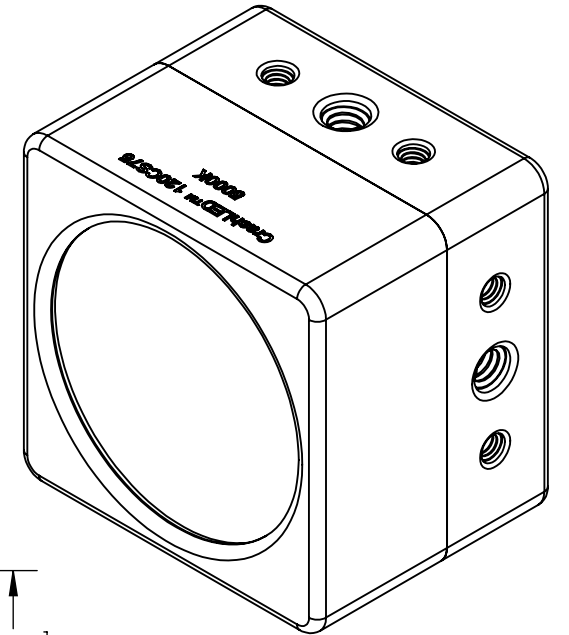
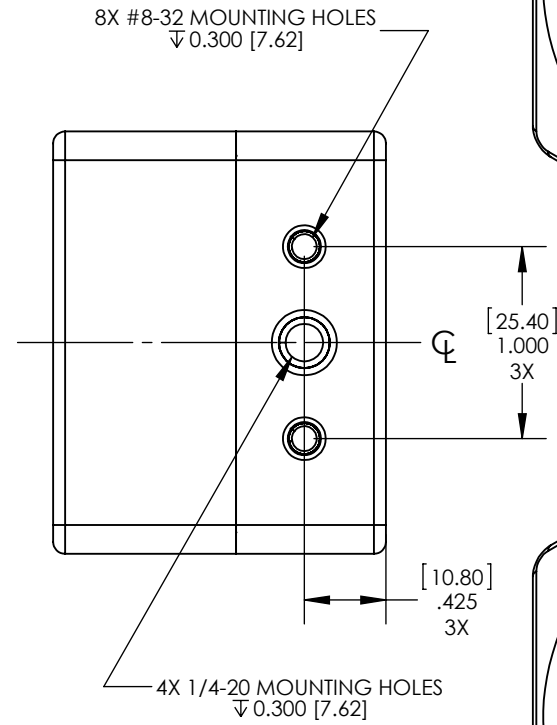
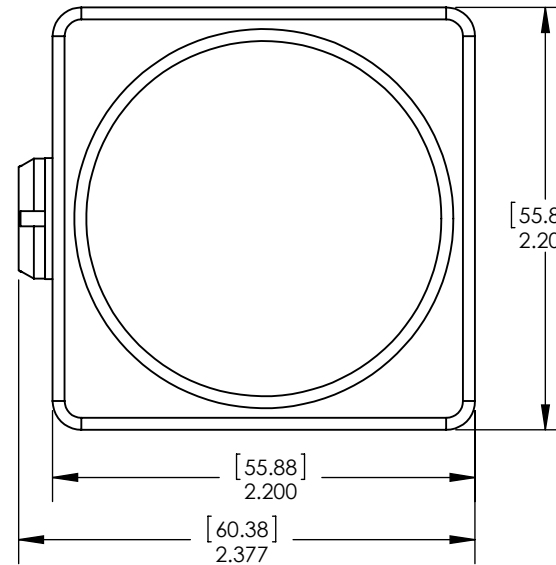
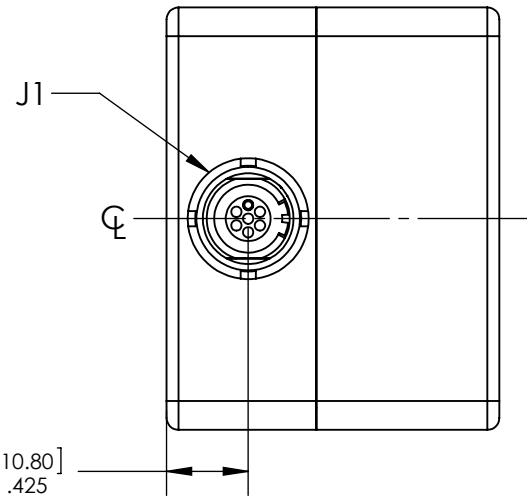
2. CONNECTORS:

J1: CHANNEL SIGNAL/POWER
 RECEPTACLE 7-PIN, SIZE 1, B-SERIES LEMO,
 ALTERNATE KEY: A
 LEMO P/N: ECA.1B.307.CYM
 MATING PLUG: FGA.1B.307.CYM OR SIMILAR
 STRAIGHT LEMO PLUG

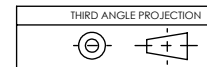
REVISIONS					
ZONE	REV.	ECO #	DESCRIPTION	DATE	APPROVED
	A	ECO-14-006	INITIAL RELEASE FOR PRODUCTION.	04/16/2014	S. PARIS



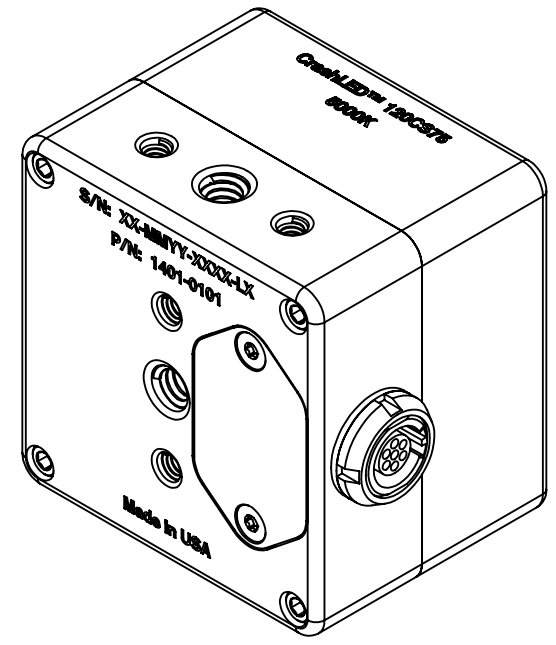
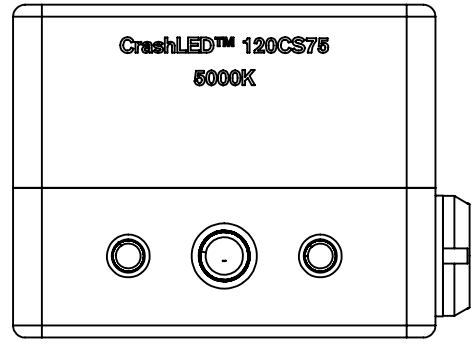
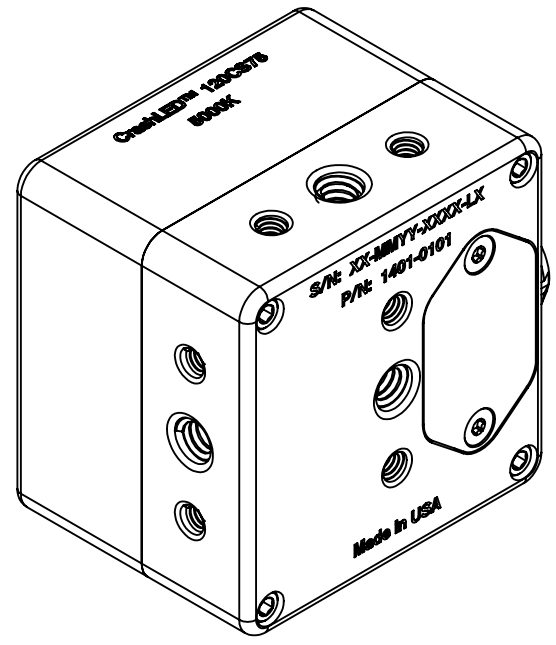
FRONT VIEW



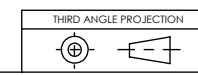
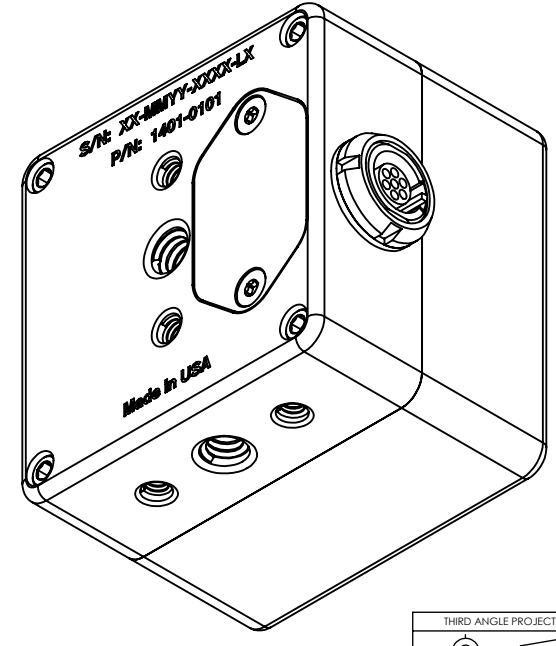
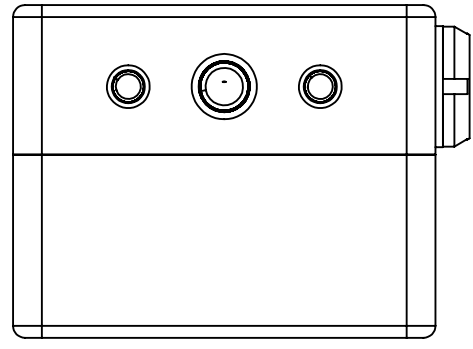
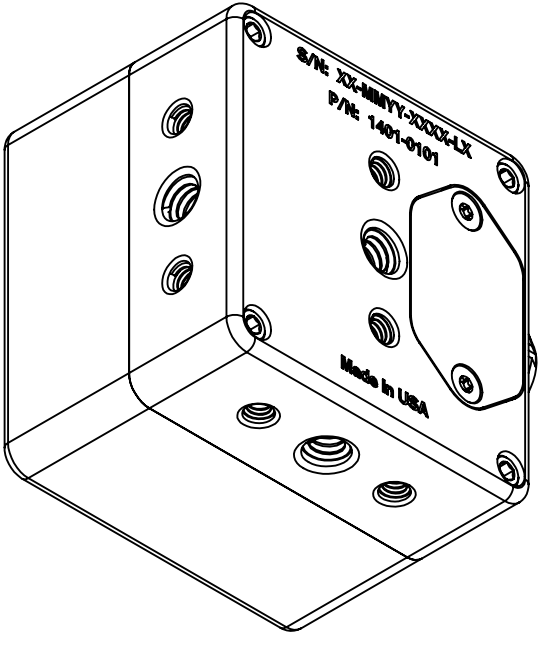
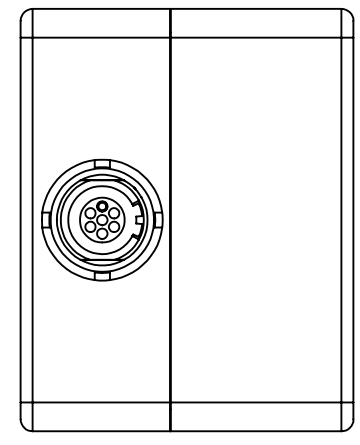
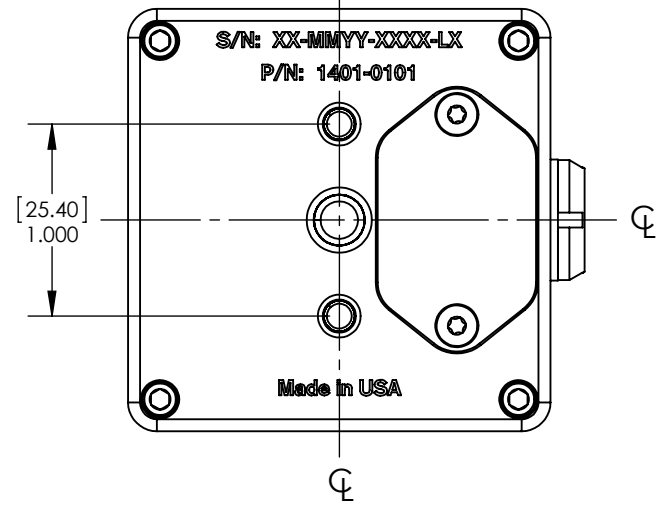
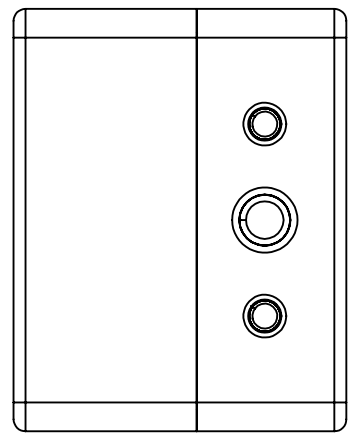
PROPRIETARY AND CONFIDENTIAL <small>THE INFORMATION CONTAINED IN THIS DRAWING IS THE SOLE PROPERTY OF INTEGRATED DESIGN TOOLS, INC. ANY REPRODUCTION IN PART OR AS A WHOLE WITHOUT THE WRITTEN PERMISSION OF INTEGRATED DESIGN TOOLS, INC. IS PROHIBITED.</small>	MATERIAL:	FINISH:	PROJECT NAME:	INTEGRATED DESIGN TOOLS, INC <small>1 WEST MOUNTAIN STREET SUITE 3 PASADENA, CA 91103</small>
	UNLESS OTHERWISE SPECIFIED: DIMENSIONS ARE IN INCHES TOLERANCES ON:		CrashLED-120	
	FRACTIONAL DECIMAL ANGULAR		DATE:	
	± 1/16 .X ± .03 ± 1°		04/16/2014	
			DESIGNED BY:	TITLE:
			S. PARIS	INTERFACE CONTROL DOCUMENT
			CHECKED BY:	(ICD), CrashLED-120 75
			B. MOAK	
			MECH. ENGINEER	
			S. PARIS	
			ELECTRICAL ENGINEER	
			OPERATION MANAGER:	SIZE:
				B
			PROGRAM MANAGER:	DWG. NO.
				1401-0100
				REV
				A
				SCALE: 1:1
				DATE: 2/26/2016
				SHEET 1 OF 2



DO NOT SCALE DRAWING



REAR VIEW



<p>PROPRIETARY AND CONFIDENTIAL</p> <p>THE INFORMATION CONTAINED IN THIS DRAWING IS THE SOLE PROPERTY OF INTEGRATED DESIGN TOOLS, INC. ANY REPRODUCTION IN PART OR AS A WHOLE WITHOUT THE WRITTEN PERMISSION OF INTEGRATED DESIGN TOOLS, INC. IS PROHIBITED.</p> <p>veritas truth in light</p>	<p>PROJECT NAME: CrashLED-120</p>	<p>INTEGRATED DESIGN TOOLS, INC 1 WEST MOUNTAIN STREET SUITE 3 PASADENA, CA 91103</p>	
	<p>UNLESS OTHERWISE SPECIFIED: DIMENSIONS ARE IN INCHES TOLERANCES ON:</p> <p>FRACTIONAL DECIMAL ANGULAR ± 1/16 X ± .03 ± 1° .XX ± .01 .XXX ± .005</p>	<p>TITLE: INTERFACE CONTROL DOCUMENT (ICD), CrashLED-120 75</p>	
<p>DO NOT SCALE DRAWING</p>	<p>SCALE: 1:1</p>	<p>DATE: 2/26/2016</p>	
	<p>SIZE: B</p>	<p>DWG. NO. 1401-0100</p>	<p>REV A</p>
		<p>SHEET 2 OF 2</p>	

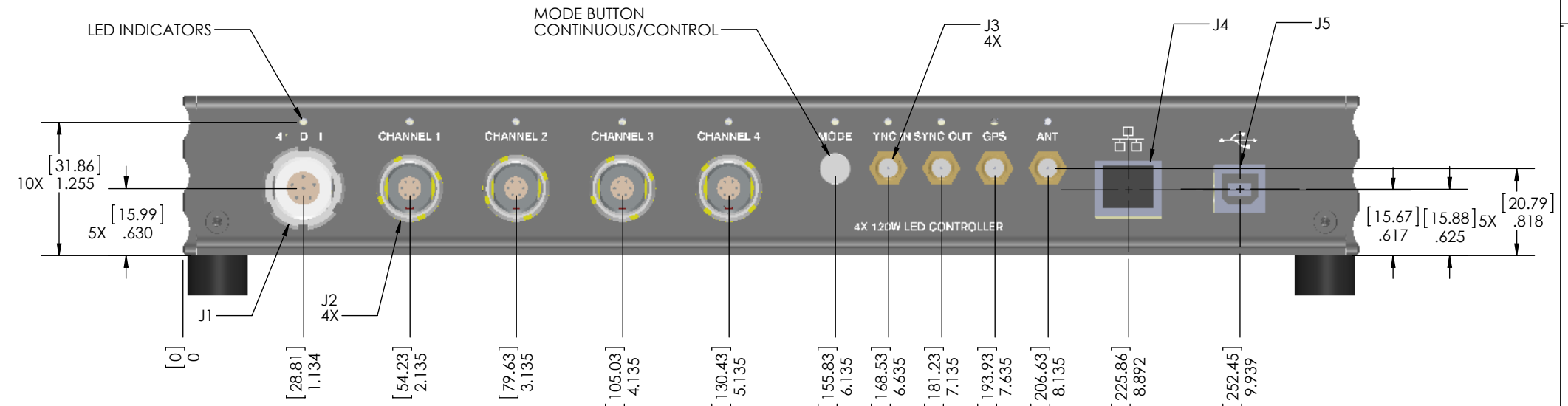
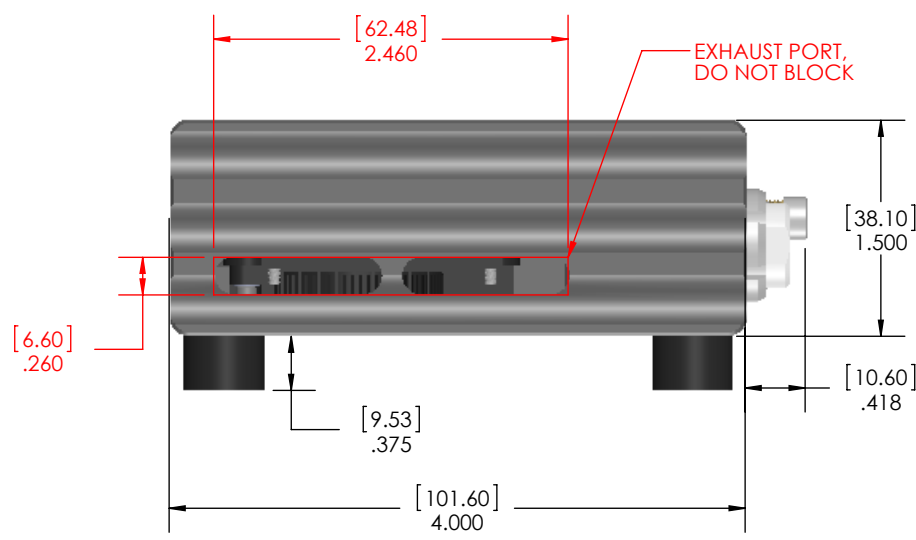
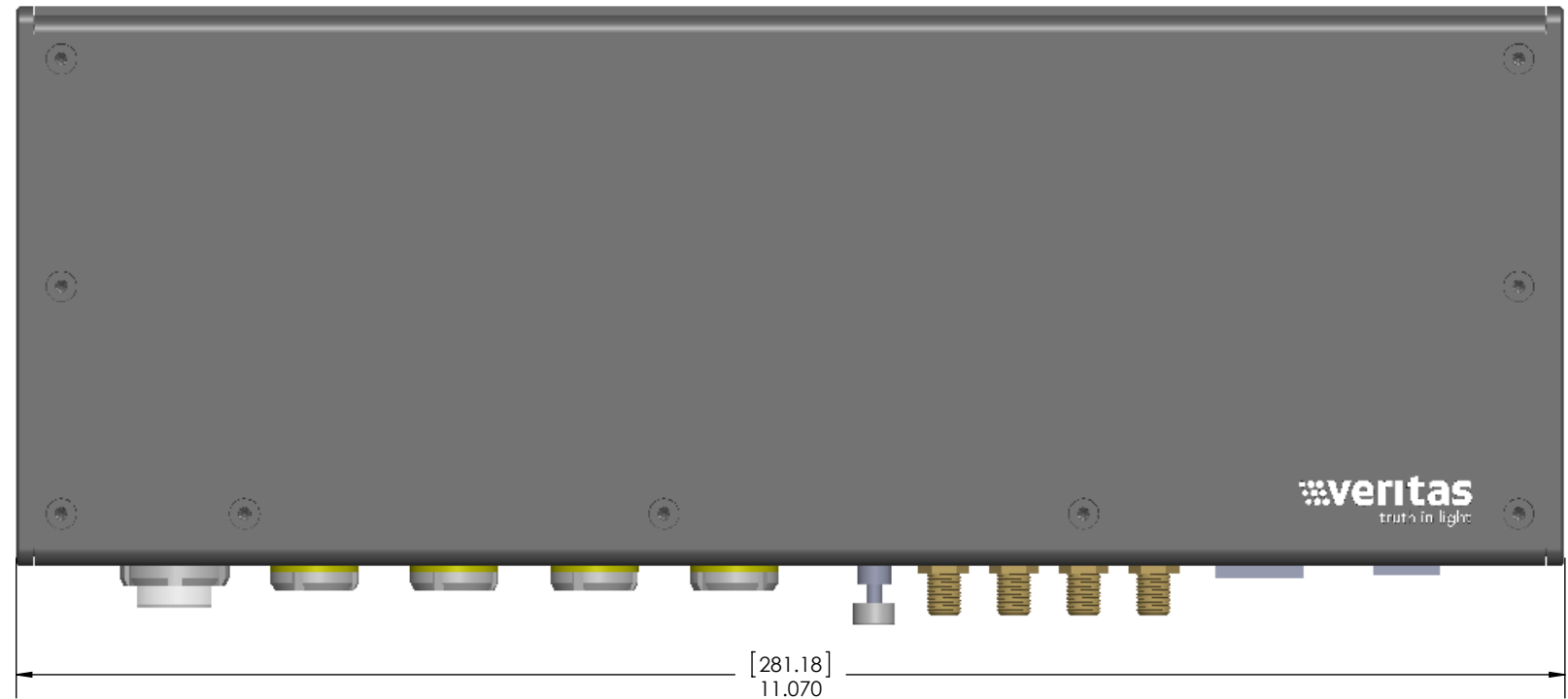
INTERFACE CONTROL DOCUMENT

CONNECTORS:

- J1: POWER: 48V DC IN, 16A
6-PIN, SIZE 2, B-SERIES LEMO
LEMO P/N: ECG.2B.306
MATING CONENCTOR:
- J2: CHANNEL SIGNAL/POWER CABLE
7-PIN, SIZE 1, B-SERIES LEMO, ALTERNATE KEY: A
LEMO P/N: ECA.1B.307
MATING CONNECTOR: FGA.1B.307 OR SIMILAR STRAIGHT
PLUG LEMO CONNECTOR
- J3: SYNC IN, SYNC OUT, GPS, WiFi (APPROPRIATELY LABELED)
SMA, JACK, MALE SOCKET, 50 OHM IMPEDEANCE
MATING CONNECTOR:
- J4: SIGNAL CONTROL
LAN MODULAR JACK, 8P8C
AMPHENOL P/N: RJHSE-3380
MATING CONNECTOR: LAN MODULAR PLUG 8P8C
- J5: SIGNAL CONTROL
USB 2.0 TYPE B, RECEPTACLE STANDARD
TE CONNECTIVITY P/N:
MATING CONNECTOR: USB 2.0 TYPE B PLUG

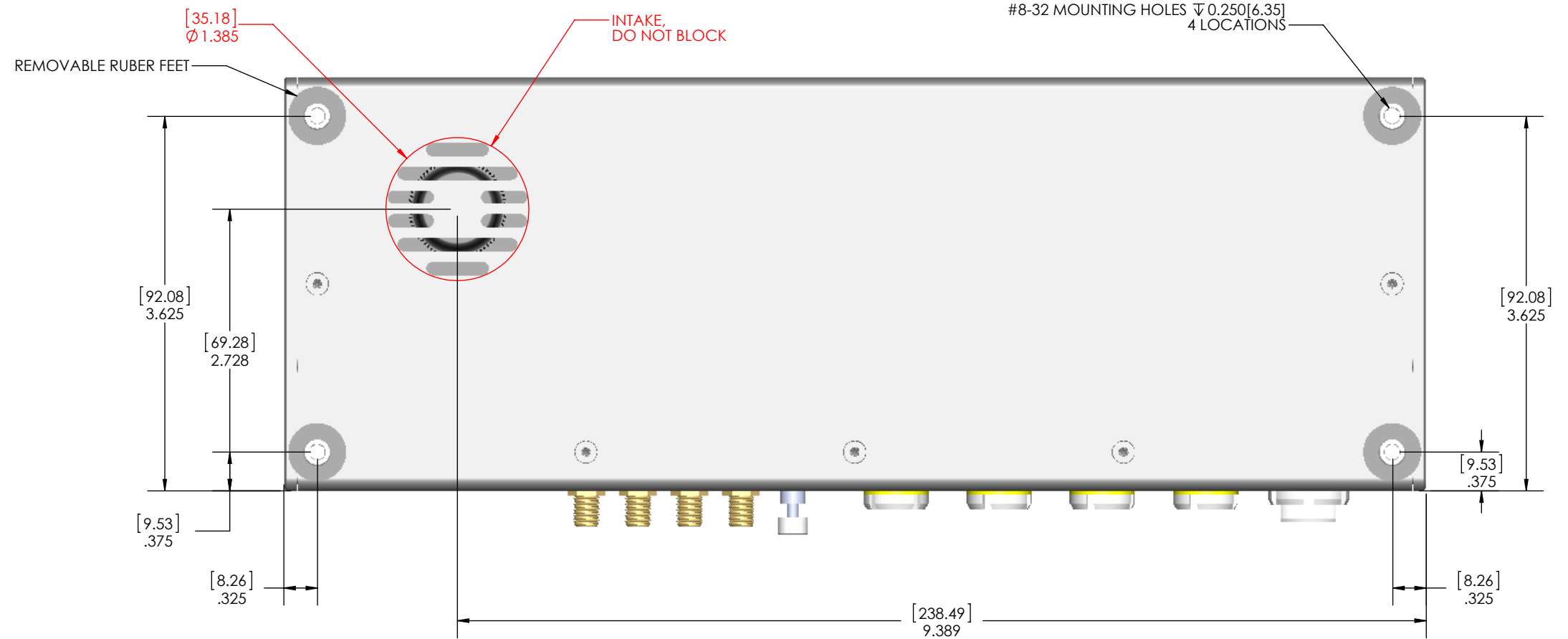
TOP & FRONT

REVISIONS					
ZONE	REV.	ECO #	DESCRIPTION	DATE	APPROVED
	A	ECO-14-009	INITIAL RELEASE FOR PRODUCTION.	03/24/2014	B. MOAK



<p>PROPRIETARY AND CONFIDENTIAL</p> <p>THE INFORMATION CONTAINED IN THIS DRAWING IS THE SOLE PROPERTY OF INTEGRATED DESIGN TOOLS, INC. ANY REPRODUCTION IN PART OR AS A WHOLE WITHOUT THE WRITTEN PERMISSION OF INTEGRATED DESIGN TOOLS, INC. IS PROHIBITED.</p>	<p>UNLESS OTHERWISE SPECIFIED: DIMENSIONS ARE IN INCHES</p> <p>TOLERANCES ON:</p> <p>FRACTIONAL DECIMAL ANGULAR $\pm 1/16$.X $\pm .03$ $\pm 1^\circ$.XX $\pm .01$.XXX $\pm .005$</p>	<p>PROJECT NAME: 08/12-LED SYSTEM</p> <p>DRAWN: B. MOAK 03/24/2014</p> <p>CHECKED: B. SHUMAKER 03/24/2014</p> <p>MECH. ENGINEER: B. MOAK 03/24/2014</p> <p>ELECTRICAL ENGINEER:</p> <p>OPERATION MANAGER:</p> <p>PROGRAM MANAGER:</p>	<p>INTEGRATED DESIGN TOOLS, INC 1 WEST MOUNTAIN STREET SUITE 3 PASADENA, CA 91103</p>	
	<p>THIRD ANGLE PROJECTION</p>	<p>IDT</p>	<p>TITLE: ICD, 08/12-LED 4-CH CONT, 3RD GEN</p>	<p>SIZE: B</p>
	<p>DO NOT SCALE DRAWING</p>	<p>SCALE: 3:4</p>	<p>DWG. NO. 1112-0900</p>	<p>DATE: 3/25/2014</p>
	<p>DATE: 03/24/2014</p>	<p>DATE: 3/25/2014</p>	<p>REV A</p>	<p>SHEET 1 OF 3</p>

BOTTOM & REAR

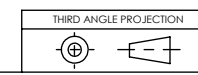


PROPRIETARY AND CONFIDENTIAL <small>THE INFORMATION CONTAINED IN THIS DRAWING IS THE SOLE PROPERTY OF INTEGRATED DESIGN TOOLS, INC. ANY REPRODUCTION IN PART OR AS A WHOLE WITHOUT THE WRITTEN PERMISSION OF INTEGRATED DESIGN TOOLS, INC. IS PROHIBITED.</small>	PROJECT NAME: 08/12-LED SYSTEM	INTEGRATED DESIGN TOOLS, INC <small>1 WEST MOUNTAIN STREET SUITE 3 PASADENA, CA 91103</small>
	UNLESS OTHERWISE SPECIFIED: DIMENSIONS ARE IN INCHES TOLERANCES ON: FRACTIONAL DECIMAL ANGULAR $\pm 1/16$ $X \pm .03$ $\pm 1^\circ$ $.XX \pm .01$ $.XXX \pm .005$	TITLE: ICD, 08/12-LED 4-CH CONT, 3RD GEN
		SIZE: B DWG. NO. 1112-0900 REV A
DO NOT SCALE DRAWING	SCALE: 3:4 DATE: 3/25/2014 SHEET 2 OF 3	

ANTENNA ATTACHMENT



ANTENNA DUAL-BAND RPSMA
2.4GHz, 5GHz
CONNECT BLUE P/N: CB-ACC-53



PROPRIETARY AND CONFIDENTIAL <small>THE INFORMATION CONTAINED IN THIS DRAWING IS THE SOLE PROPERTY OF INTEGRATED DESIGN TOOLS, INC. ANY REPRODUCTION IN PART OR AS A WHOLE WITHOUT THE WRITTEN PERMISSION OF INTEGRATED DESIGN TOOLS, INC. IS PROHIBITED.</small>	PROJECT NAME: 08/12-LED SYSTEM	INTEGRATED DESIGN TOOLS, INC <small>1 WEST MOUNTAIN STREET SUITE 3 PASADENA, CA 91103</small>	
	<small>UNLESS OTHERWISE SPECIFIED: DIMENSIONS ARE IN INCHES TOLERANCES ON:</small> FRACTIONAL DECIMAL ANGULAR $\pm 1/16$ $X \pm .03$ $\pm 1^\circ$ $.XX \pm .01$ $.XXX \pm .005$	TITLE: ICD, 08/12-LED 4-CH CONT, 3RD GEN	
DO NOT SCALE DRAWING	SIZE: B	DWG. NO. 1112-0900	SCALE: 3:4 DATE: 3/25/2014 SHEET 3 OF 3