

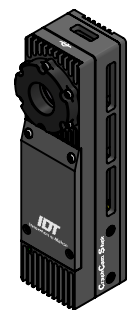
NOTES: UNLESS OTHERWISE SPECIFIED

1. ALL FEATURES AND DIMENSIONS ARE TYPICAL OF ALL CONFIGURATIONS UNLESS OTHERWISE INDICATED.

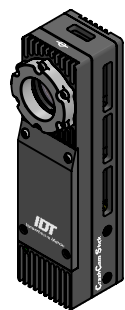
REVISIONS					
ZONE	REV.	ECO #	DESCRIPTION	DATE	APPROVED
	A		INITIAL RELEASE	3/11/2020	D. ATOL



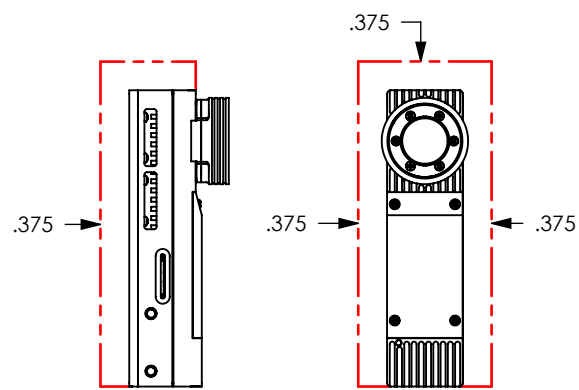
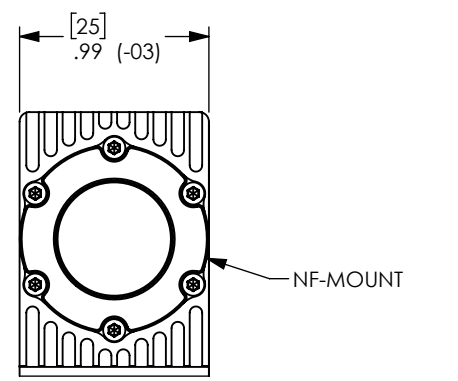
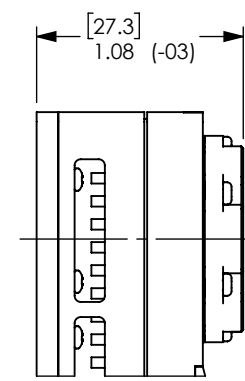
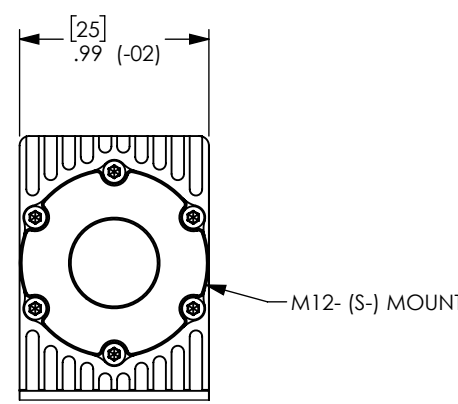
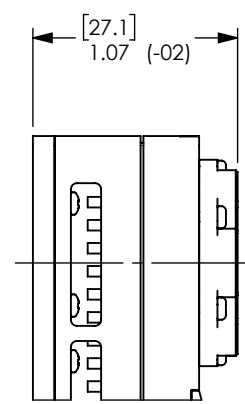
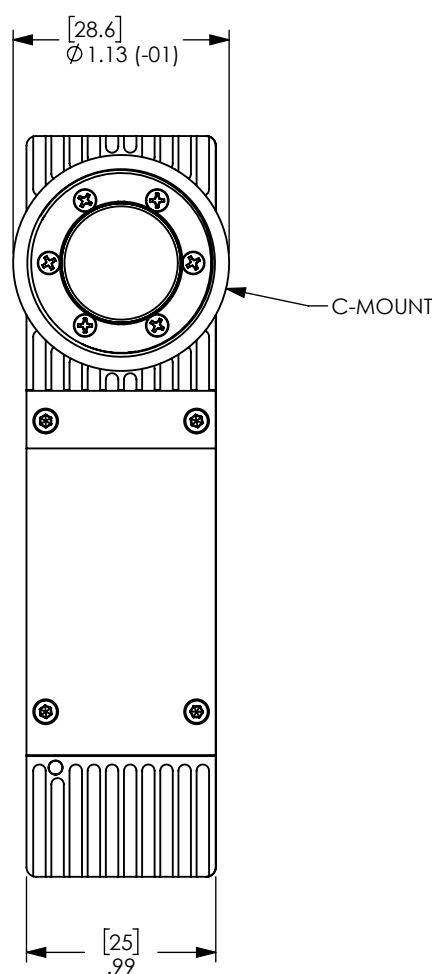
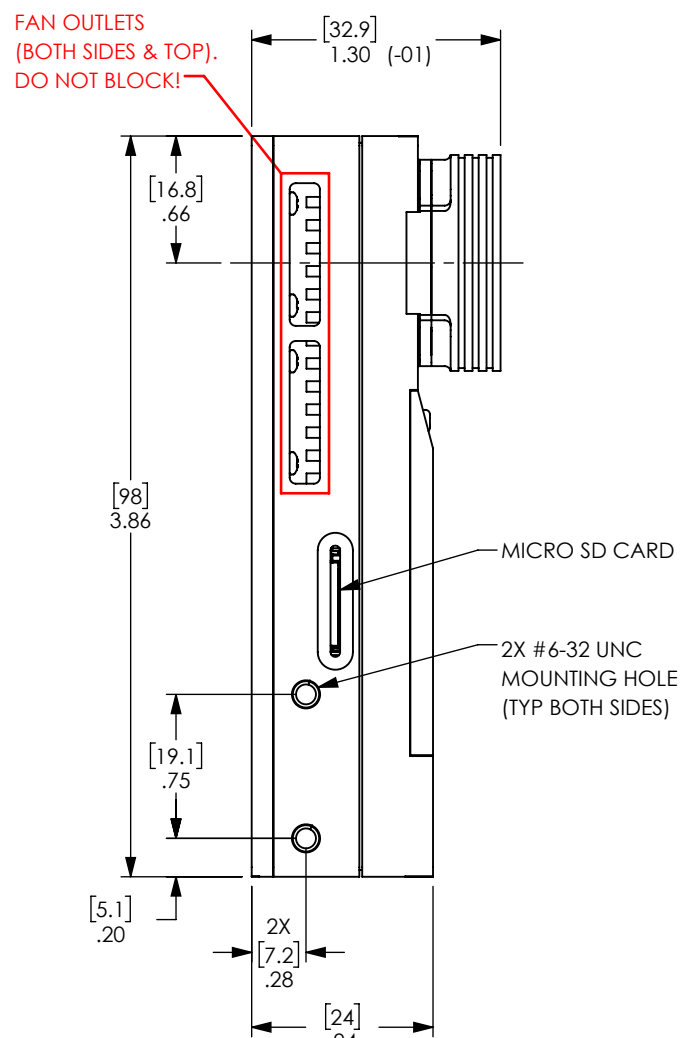
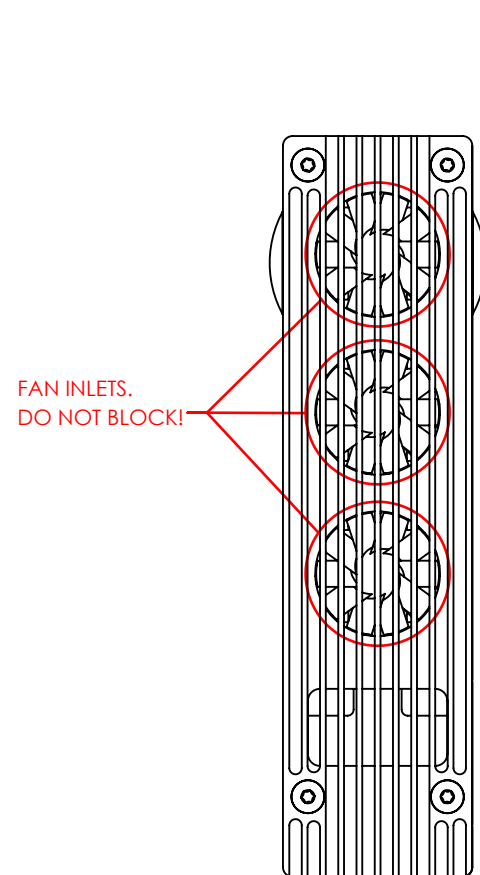
1504-0100-01
C-MOUNT



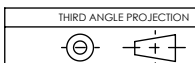
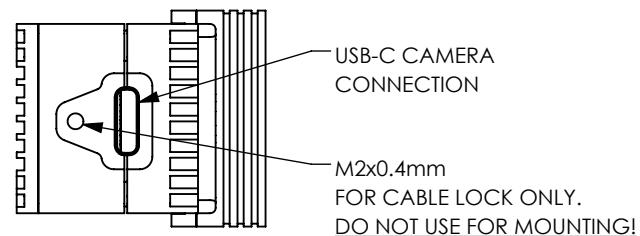
1504-0100-02
M12- (S-) MOUNT



1504-0100-03
NF-MOUNT



MINIMUM CLEARANCES
ALL CONFIGURATIONS



PROPRIETARY AND CONFIDENTIAL
THE INFORMATION CONTAINED IN THIS DRAWING IS THE SOLE PROPERTY OF INTEGRATED DESIGN TOOLS, INC. ANY REPRODUCTION IN PART OR AS A WHOLE WITHOUT THE WRITTEN PERMISSION OF INTEGRATED DESIGN TOOLS, INC. IS PROHIBITED.



MATERIAL: N/A
FINISH: N/A
UNLESS OTHERWISE SPECIFIED: DIMENSIONS ARE IN INCHES
TOLERANCES ON:
FRACTIONAL DECIMAL ANGULAR
± 1/16 .X ± .03 ± 1°
.XX ± .01
.XXX ± .005

DO NOT SCALE DRAWING

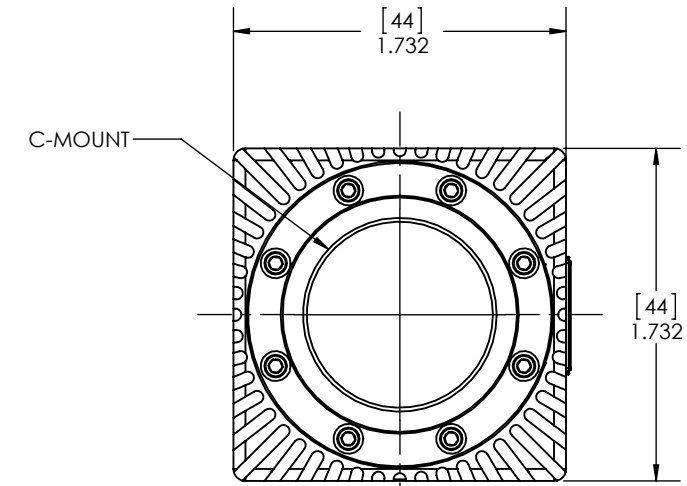
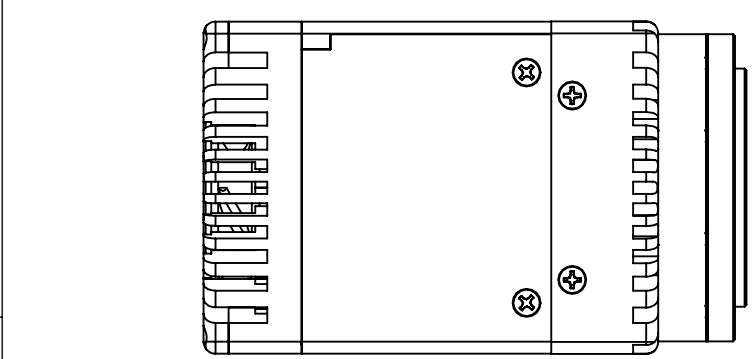
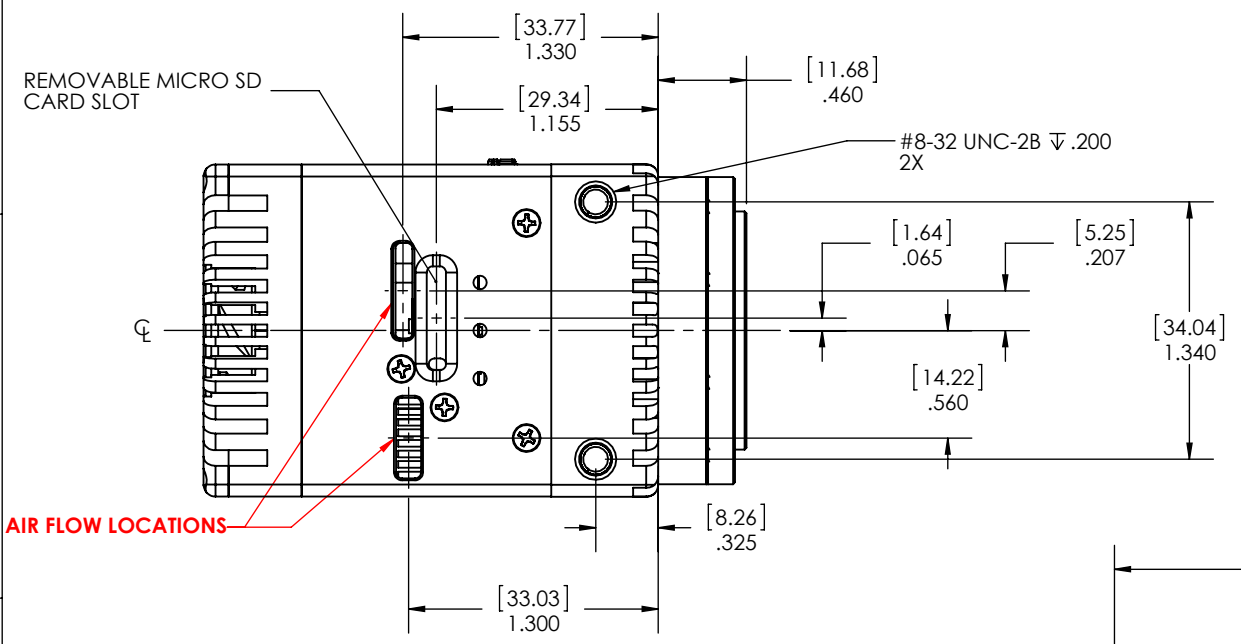
PROJECT NAME: CRASH CAM STICK
DATE: 3/12/2020
DRAWN: B. WADDELL
CHECKED: D. ATOL
MECH. ENGINEER: D. ATOL
ELECTRICAL ENGINEER:
OPERATION MANAGER:
PROGRAM MANAGER:

INTEGRATED DESIGN TOOLS, INC
1 WEST MOUNTAIN STREET SUITE 3
PASADENA, CA 91103
TITLE: ICD, FINAL ASSEMBLY
SIZE: **B**
DWG. NO. 1504-0100
REV **A**
SCALE: 1:1
DATE: 3/12/2020
SHEET 1 OF 1

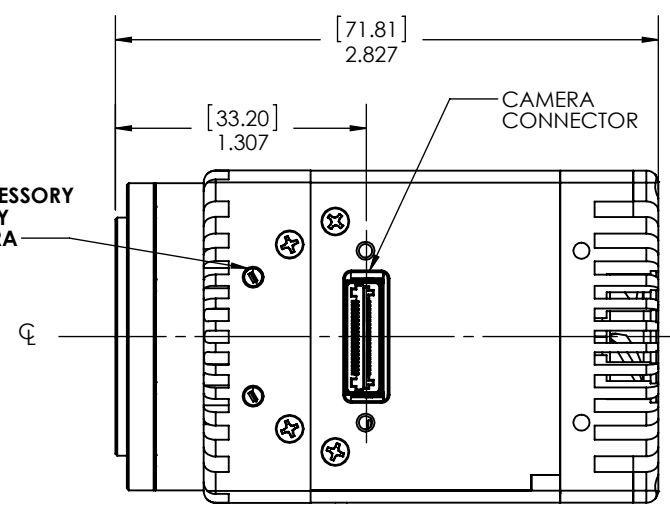
NOTES: UNLESS OTHERWISE SPECIFIED



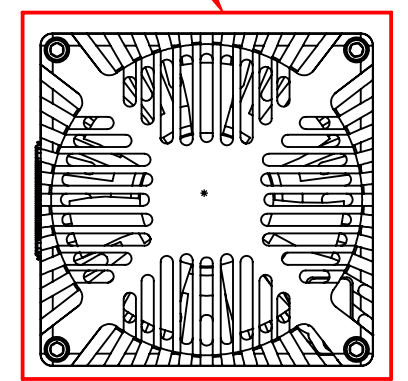
REVISIONS					
ZONE	REV.	ECO #	DESCRIPTION	DATE	APPROVED
	A	-	INITIAL RELEASE FOR PRODUCTION.	12/01/2016	B. MOAK
	B		ADDED APPROX. .034" TO FRONT OF CAMERA FOR FOCUS THRU INFINITY. RE-DIMENSIONED HOLE LOCATIONS TO FLAT OF FRONT HOUSING.	5/5/2017	B. MOAK



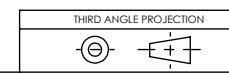
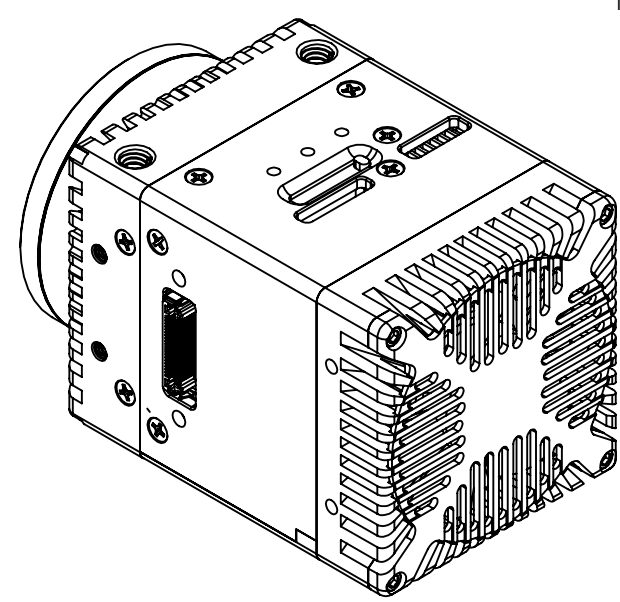
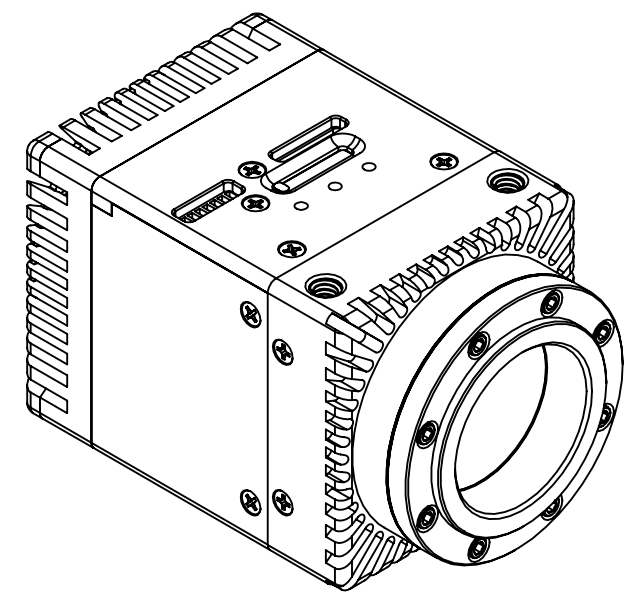
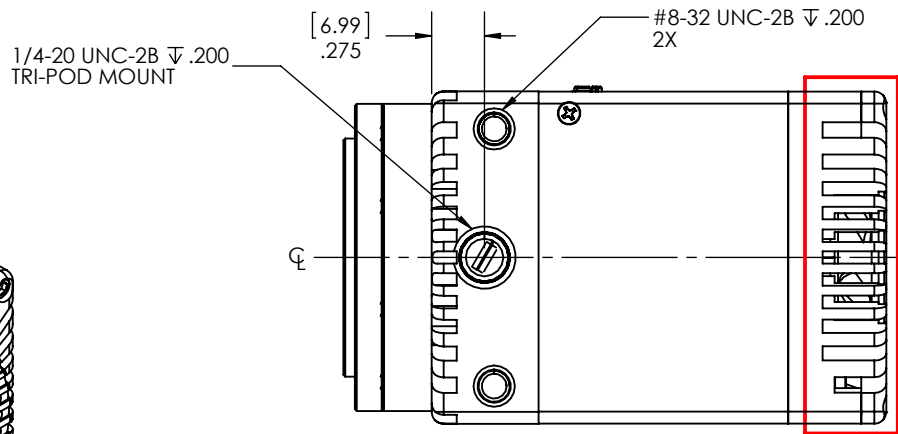
HOLES FOR ACCESSORY MOUNTING ONLY NOT FOR CAMERA MOUNTING 4X



AIR FLOW LOCATION DO NOT BLOCK



AIR FLOW LOCATION DO NOT BLOCK ALL FOUR SIDES

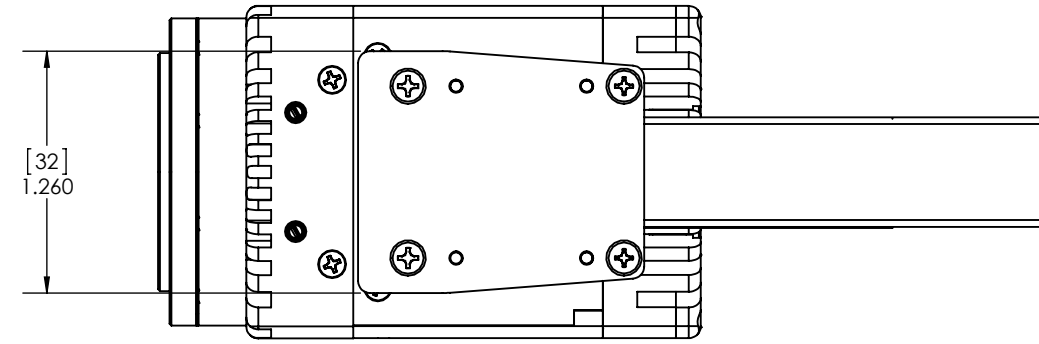
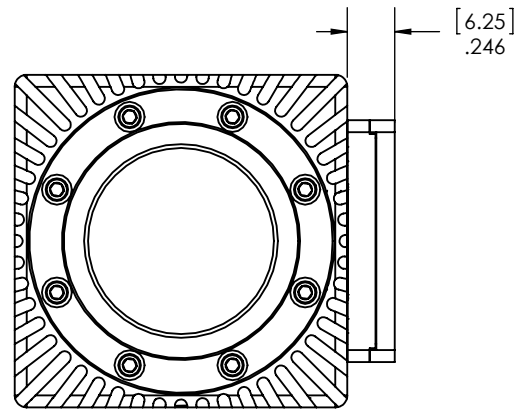


PROPRIETARY AND CONFIDENTIAL THE INFORMATION CONTAINED IN THIS DRAWING IS THE SOLE PROPERTY OF INTEGRATED DESIGN TOOLS, INC. ANY REPRODUCTION IN PART OR AS A WHOLE WITHOUT THE WRITTEN PERMISSION OF INTEGRATED DESIGN TOOLS, INC. IS PROHIBITED.	UNLESS OTHERWISE SPECIFIED: DIMENSIONS ARE IN INCHES TOLERANCES ON: FRACTIONAL DECIMAL ANGULAR $\pm 1/16$.X $\pm .03$ $\pm 1^\circ$.XX $\pm .01$.XXX $\pm .005$	PROJECT NAME: CRASH CAM MINI	INTEGRATED DESIGN TOOLS, INC 1 WEST MOUNTAIN STREET SUITE 3 PASADENA, CA 91103
		DRAWN: B. MOAK DATE: 12/01/2016 CHECKED: X. XXXX DATE: 12/01/2016 MECH. ENGINEER: B. MOAK DATE: 12/01/2016 ELECTRICAL ENGINEER: OPERATION MANAGER: PROGRAM MANAGER:	TITLE: CRASH CAM MINI ASSY, ICD
DO NOT SCALE DRAWING	SIZE: B DWG. NO. 1421-0100 REV B	SCALE: 1:1 DATE: 5/10/2017 SHEET 1 OF 2	

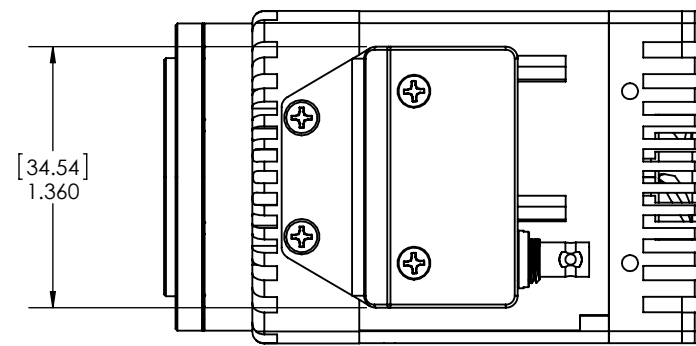
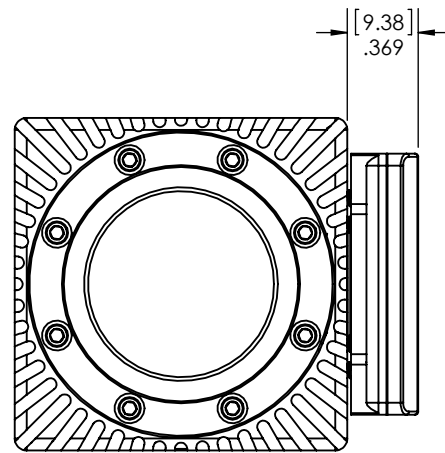
8 7 6 5 4 3 2 1

CAEMRA WITH SIDE ADAPTER CONFIGURATIONS

CAMERA WITH DOCK ADAPTER



CAMERA WITH USB-C ADAPTER



A
B
C
D
E

A
B
C
D
E

PROPRIETARY AND CONFIDENTIAL <small>THE INFORMATION CONTAINED IN THIS DRAWING IS THE SOLE PROPERTY OF INTEGRATED DESIGN TOOLS, INC. ANY REPRODUCTION IN PART OR AS A WHOLE WITHOUT THE WRITTEN PERMISSION OF INTEGRATED DESIGN TOOLS, INC. IS PROHIBITED.</small>	PROJECT NAME: CRASH CAM MINI	INTEGRATED DESIGN TOOLS, INC <small>1 WEST MOUNTAIN STREET SUITE 3 PASADENA, CA 91103</small>	
	UNLESS OTHERWISE SPECIFIED: DIMENSIONS ARE IN INCHES TOLERANCES ON: FRACTIONAL DECIMAL ANGULAR ± 1/16 X ± .03 ± 1° .XX ± .01 .XXX ± .005	TITLE: CRASH CAM MINI ASSY, ICD	
THIRD ANGLE PROJECTION 	DO NOT SCALE DRAWING	SIZE: B	DWG. NO. 1421-0100 DATE: 5/10/2017 SHEET 2 OF 2

8 7 6 5 4 3 2 1