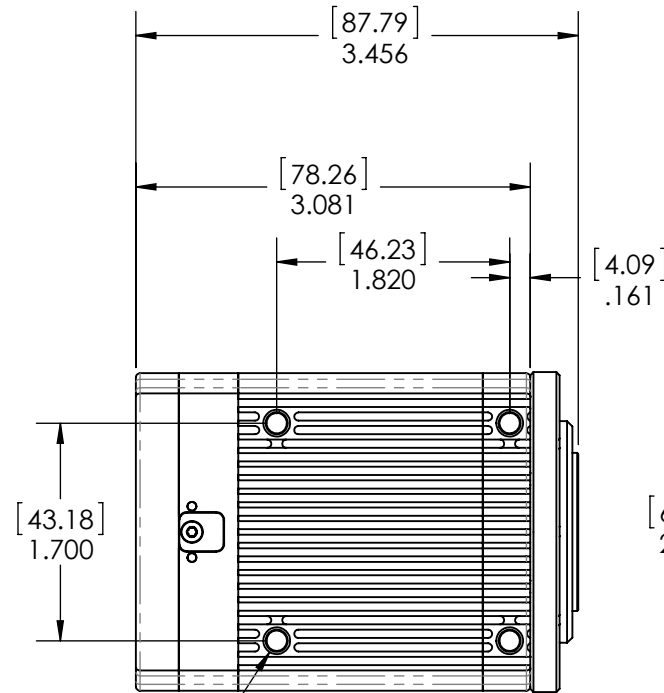
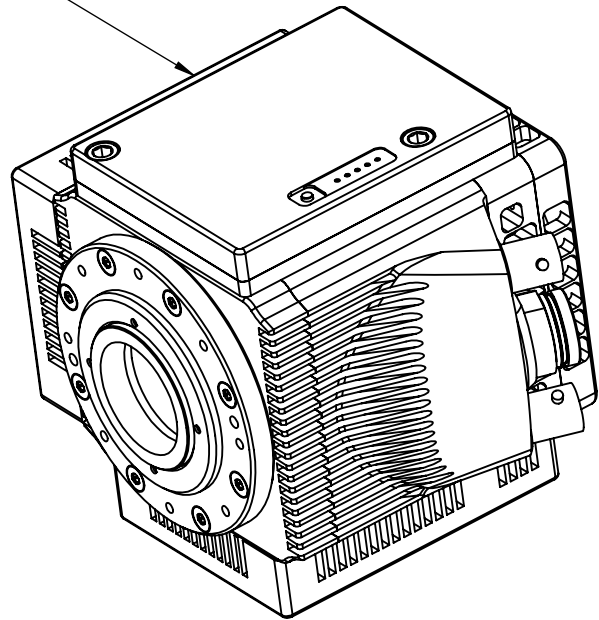


INTERFACE CONTROL DOCUMENT

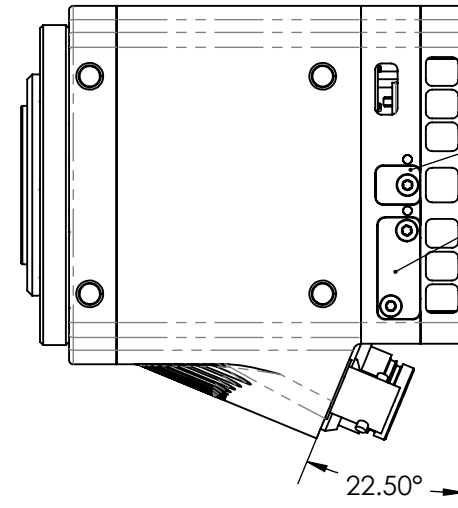
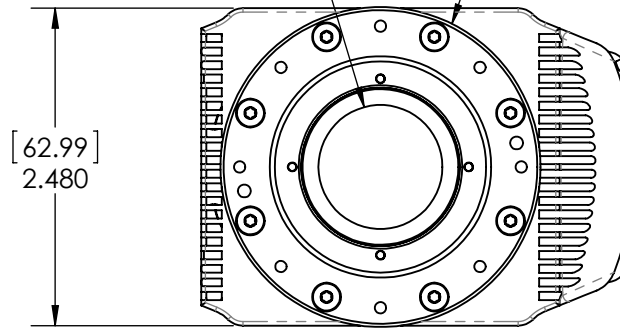
1. MASS PROPERTIES: MASS = 1.52 POUNDS (estimated)
 CENTER OF MASS: (INCHES) X = 1.6 Y = 0.15 Z = 0.0 (estimated)

REVISIONS				
ZONE	REV.	DESCRIPTION	DATE	APPROVED
	J	INITIAL RELEASE	5/02/2015	

CAMERA WITH OPTIONAL BATTERY AND TWO SIDE FANS

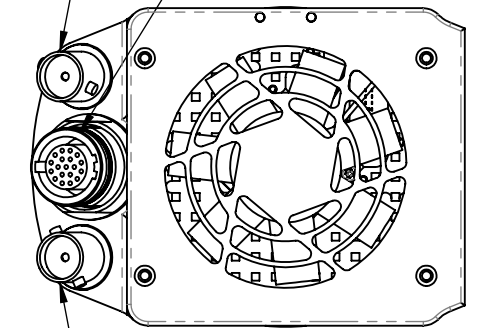


C-MOUNT F-MOUNT

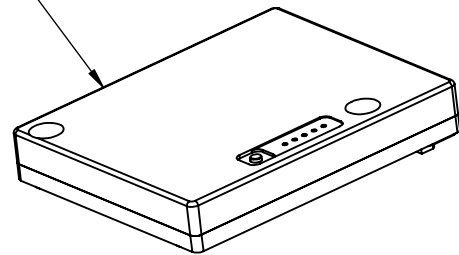


FAN CONNECTOR ON THREE SIDES
 BATTERY AND PROGRAMMING CONNECTOR ON TOP

BNC HD SDI
 LEMO M-SERIES HEN.2M.319.XLNP ON THE LEFT SIDE

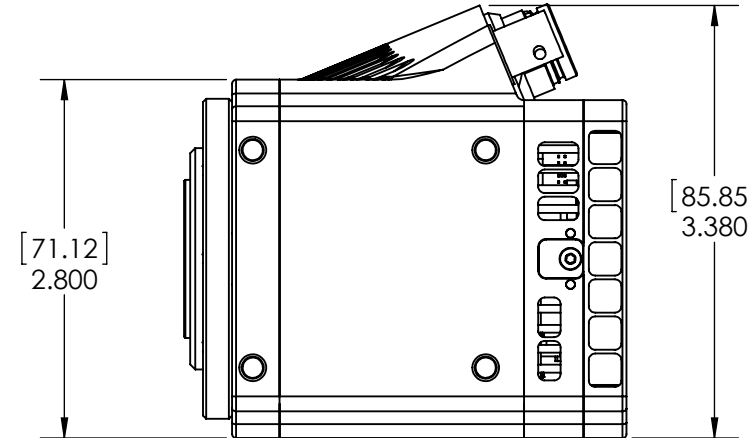
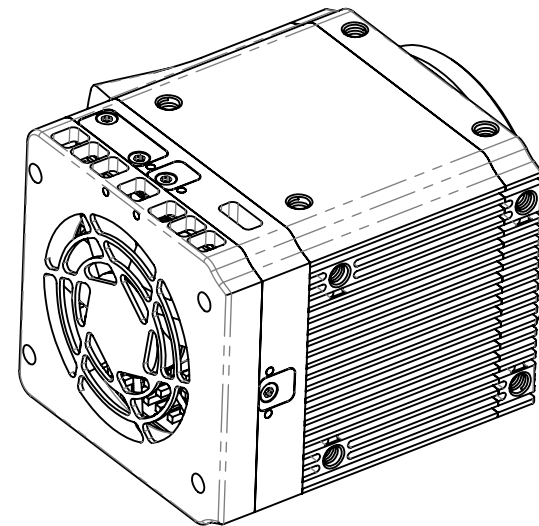
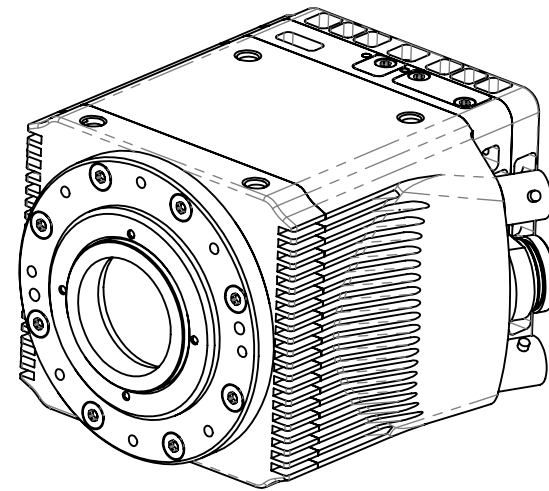
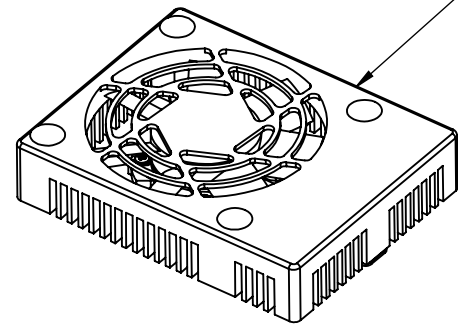


OPTIONAL 3.8 WH BATTERY



#8-32 UNC-2B ∇ .200
 HELICOIL NAS 1130-08-10
 4X ON THREE SIDES

OPTIONAL SIDE FAN



BNC ADDITIONAL SYNC

PROPRIETARY AND CONFIDENTIAL THE INFORMATION CONTAINED IN THIS DRAWING IS THE SOLE PROPERTY OF INTEGRATED DESIGN TOOLS, INC. ANY REPRODUCTION IN PART OR AS A WHOLE WITHOUT THE WRITTEN PERMISSION OF INTEGRATED DESIGN TOOLS, INC. IS PROHIBITED.	INTERPRET THIS DRAWING PER ASME Y14.5M-1994 UNLESS OTHERWISE SPECIFIED: DIMENSIONS ARE IN INCHES TOLERANCES ON: FRACTIONAL DECIMAL ANGULAR ± 1/16 .X ± .1 ± 1° .XX ± .03 .XXX ± .010	PROJECT NAME: OS2 CAMERA	INTEGRATED DESIGN TOOLS, INC 1 WEST MOUNTAIN STREET SUITE 3 PASADENA, CA 91103
	DO NOT SCALE DRAWING	DRAWN: A. ANDRYUKOV 8/11/2015 CHECKED: E. HEININGER 8/11/2015 RECH. ENGINEER: A. ANDRYUKOV 8/11/2015 OPERATOR MANAGER: PROGRAM MANAGER: 12/09/2014	TITLE: INTERFACE CONTROL DOCUMENT (ICD), OS CRASH CAM

THIRD ANGLE PROJECTION		
NEXT ASSY	USED ON	
APPLICATION		



Monday, August 22, 2016 3:01:25 PM
 S:\proj\1406 OS2 CAMERA\1406 OS2 CAMERA Microtech\1406 OS2 CAMERA ASSY\CAD\CAMERA ICD CRASH CAMERA ICD