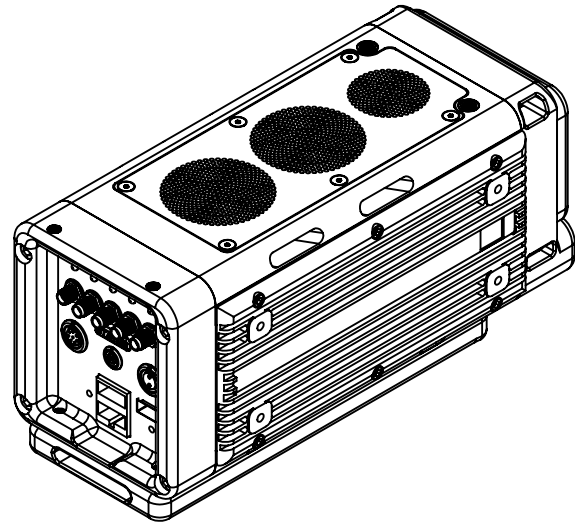
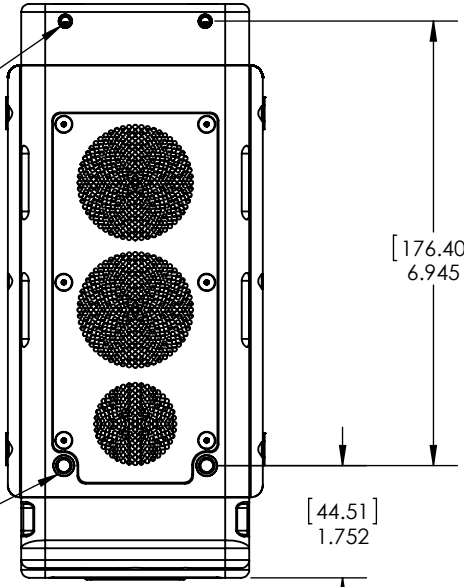


INTERFACE CONTROL DOCUMENT

REVISIONS				
ZONE	REV.	DESCRIPTION	DATE	APPROVED
	A	INITIAL RELEASE	7/02/2011	RS
	B	RE-DRAFTED FOR BETTER REPRESENTATION	8/28/2013	B. MOAK
	C	ADDED MISSING LENGTH DIMENSION	7/22/2015	B. MOAK

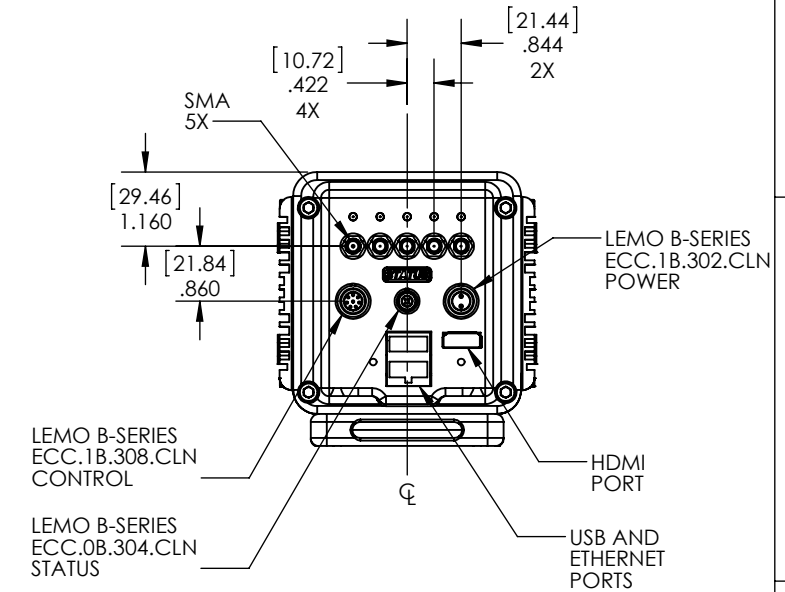
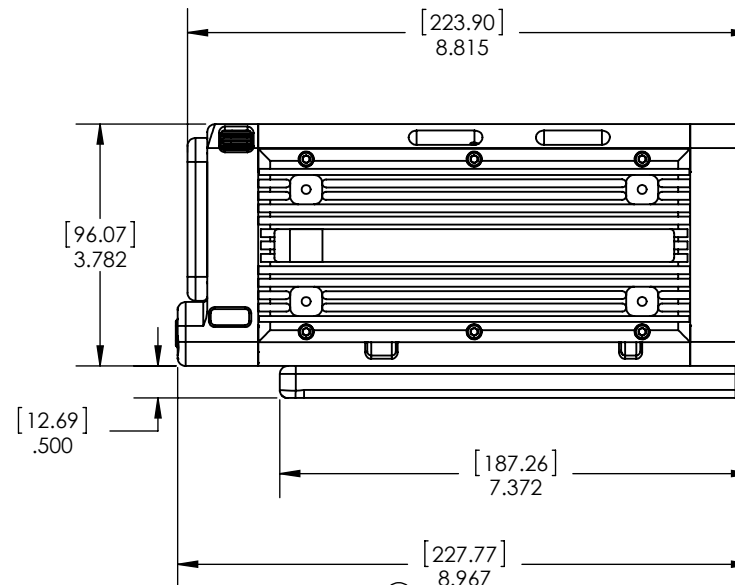
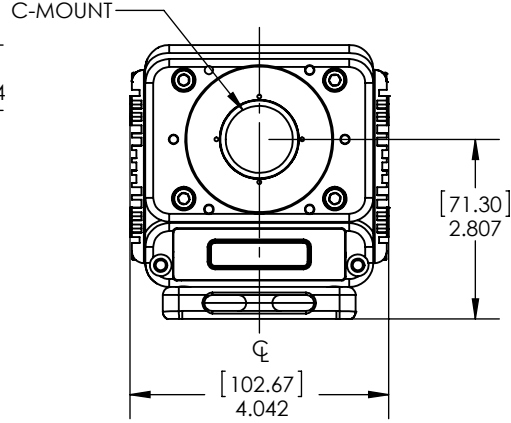
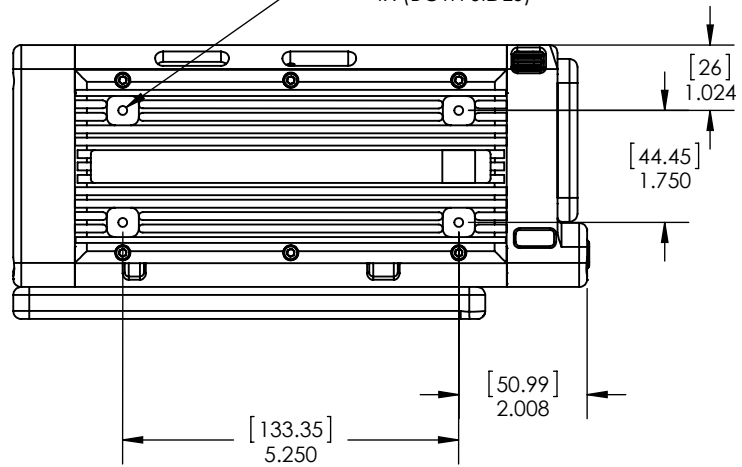


18-8 SS INSERT,
1/4-28 EXT THD,
8-32 INT THD, 9/32 LG
2X

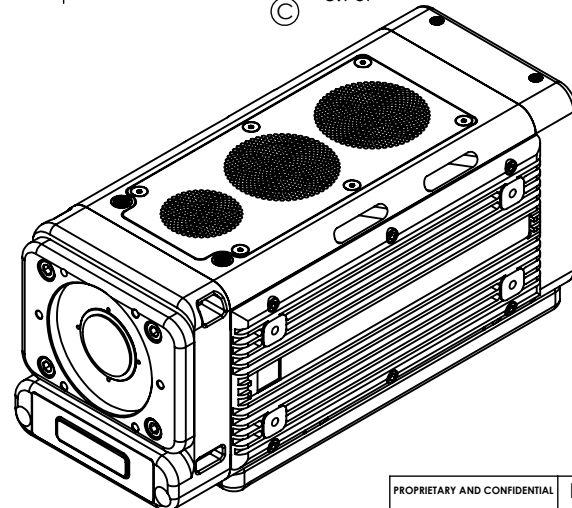
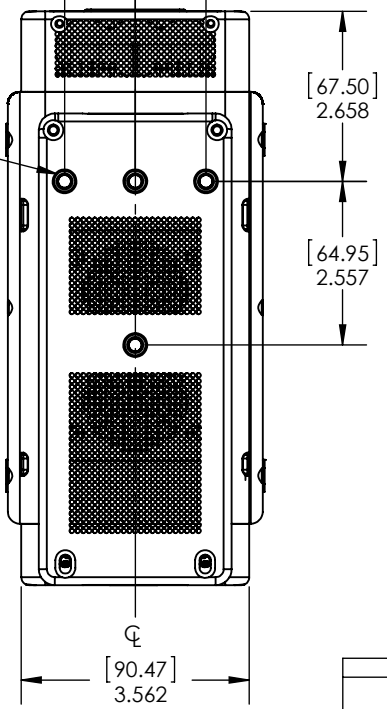


18-8 SS THD INSERT
WITH NYLON PATCH
1/4-20 INT THD,
3/8-24 EXT THD, 3/8 LG
2X

#6-32 UNC ∇ .28 THD HOLES
4X (BOTH SIDES)

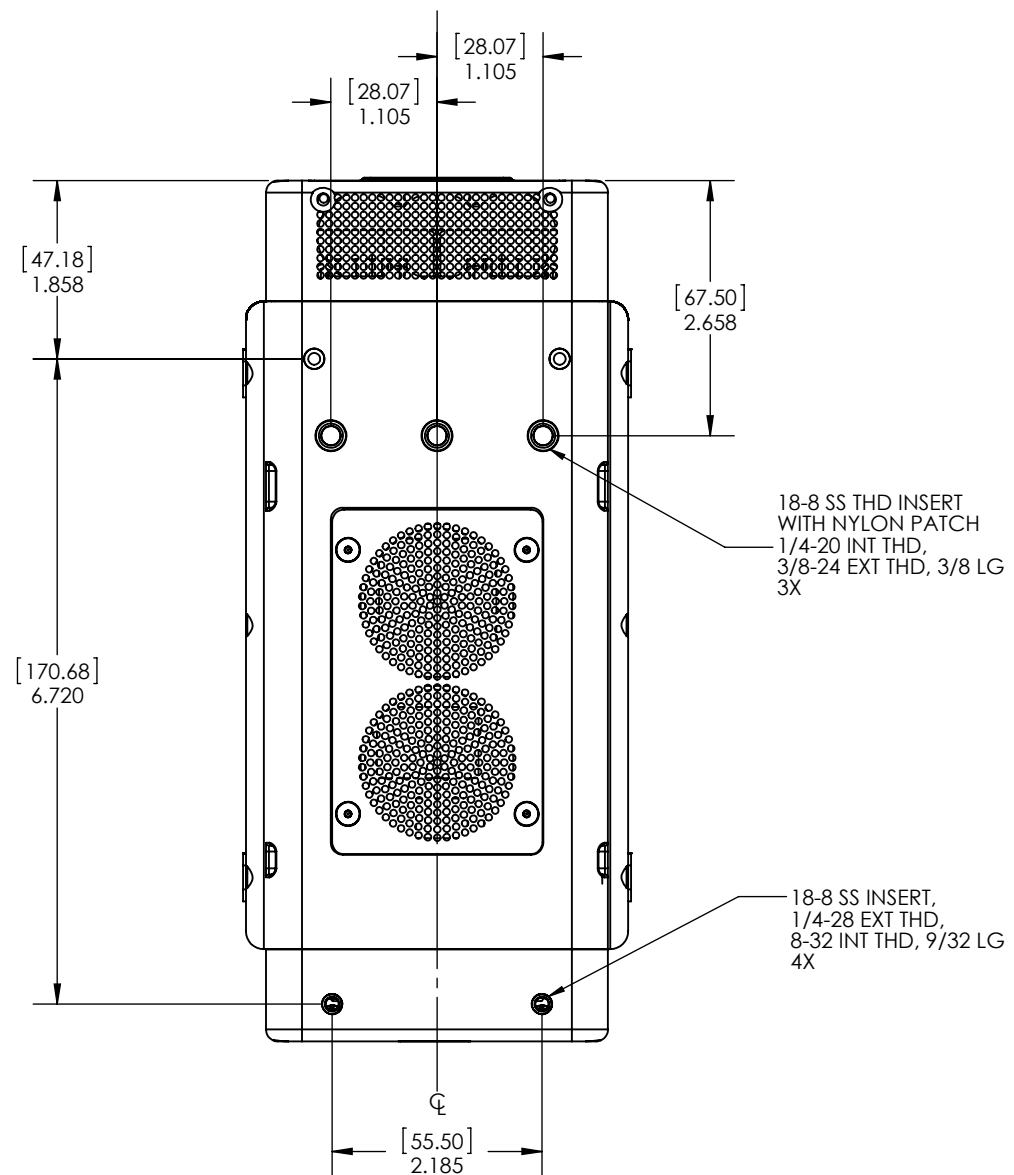
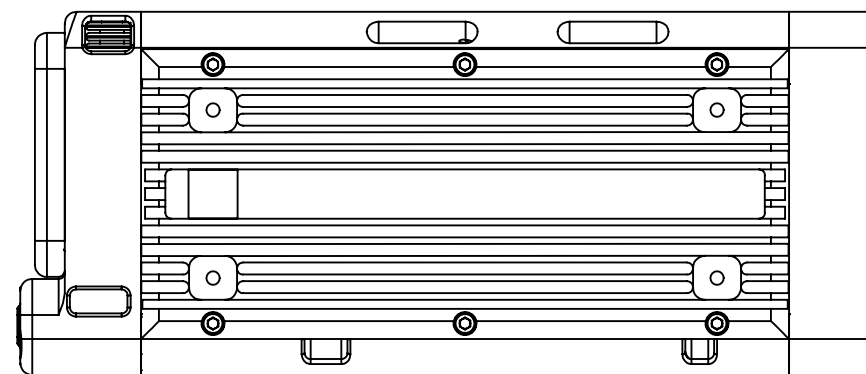
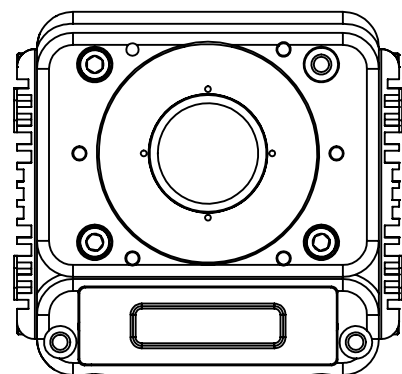


18-8 SS THD INSERT
WITH NYLON PATCH
1/4-20 INT THD,
3/8-24 EXT THD, 3/8 LG
4X

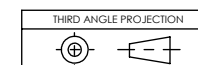


<p>PROPRIETARY AND CONFIDENTIAL</p> <p>THE INFORMATION CONTAINED IN THIS DRAWING IS THE SOLE PROPERTY OF INTEGRATED DESIGN TOOLS INC. ANY REPRODUCTION IN PART OR AS A WHOLE WITHOUT THE WRITTEN PERMISSION OF INTEGRATED DESIGN TOOLS INC IS PROHIBITED.</p>	<p>INTERPRET THIS DRAWING PER ASME Y14.5M-1994</p> <p>UNLESS OTHERWISE SPECIFIED: DIMENSIONS ARE IN INCHES</p> <p>TOLERANCES ON:</p> <p>FRACTIONAL DECIMAL ANGULAR</p> <p>$\pm 1/16$.X $\pm .1$ $\pm 1^\circ$</p> <p>.XX $\pm .03$</p> <p>.XXX $\pm .010$</p>	<p>PROJECT NAME: Y-CAMERA</p> <p>DATE: 2/7/2011</p> <p>DESIGNED BY: BRYAN MOAK</p> <p>DATE: 2/7/2011</p> <p>REVIEWED BY: ERIC HEININGER</p> <p>DATE: 2/7/2011</p> <p>OPERATION MANAGER:</p> <p>PROGRAM MANAGER: LUIZ LOURENCO</p> <p>DATE: 2/7/2011</p>	<p>INTEGRATED DESIGN TOOLS, INC</p> <p>1 WEST MOUNTAIN STREET SUITE 3 PASADENA, CA 91103</p> <p>TITLE: INTERFACE CONTROL DOCUMENT, Y-CAMERA</p> <p>SIZE: B</p> <p>DWG. NO. 1067-0200_ICD</p> <p>SCALE: 1:3</p> <p>DATE: 7/22/2015</p> <p>REV C</p> <p>SHEET 1 OF 2</p>
	<p>THIRD ANGLE PROJECTION</p> <p>DO NOT SCALE DRAWING</p>	<p>APPLICATION</p> <p>NEXT ASSY</p> <p>USED ON</p>	

WITH OUT BOTTOM MOUNTING PLATE



PROPRIETARY AND CONFIDENTIAL <small>THE INFORMATION CONTAINED IN THIS DRAWING IS THE SOLE PROPERTY OF INTEGRATED DESIGN TOOLS, INC. ANY REPRODUCTION IN PART OR AS A WHOLE WITHOUT THE WRITTEN PERMISSION OF INTEGRATED DESIGN TOOLS, INC. IS PROHIBITED.</small>	PROJECT NAME: Y-CAMERA	INTEGRATED DESIGN TOOLS, INC <small>1 WEST MOUNTAIN STREET SUITE 3 PASADENA, CA 91103</small>	
	UNLESS OTHERWISE SPECIFIED: DIMENSIONS ARE IN INCHES TOLERANCES ON: FRACTIONAL DECIMAL ANGULAR $\pm 1/16$ $X \pm .03$ $\pm 1^\circ$ $.XX \pm .01$ $.XXX \pm .005$	TITLE: INTERFACE CONTROL DOCUMENT, Y-CAMERA	
DO NOT SCALE DRAWING	DWG. NO. 1067-0200_ICD	SCALE: 1:2	DATE: 7/22/2015



8 7 6 5 4 3 2 1

A B C D E

A B C D E

8 7 6 5 4 3 2 1