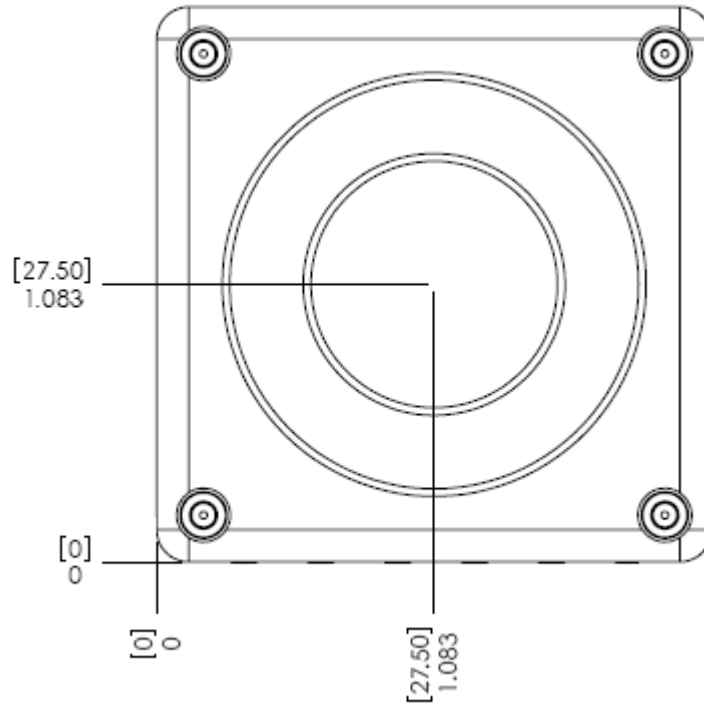
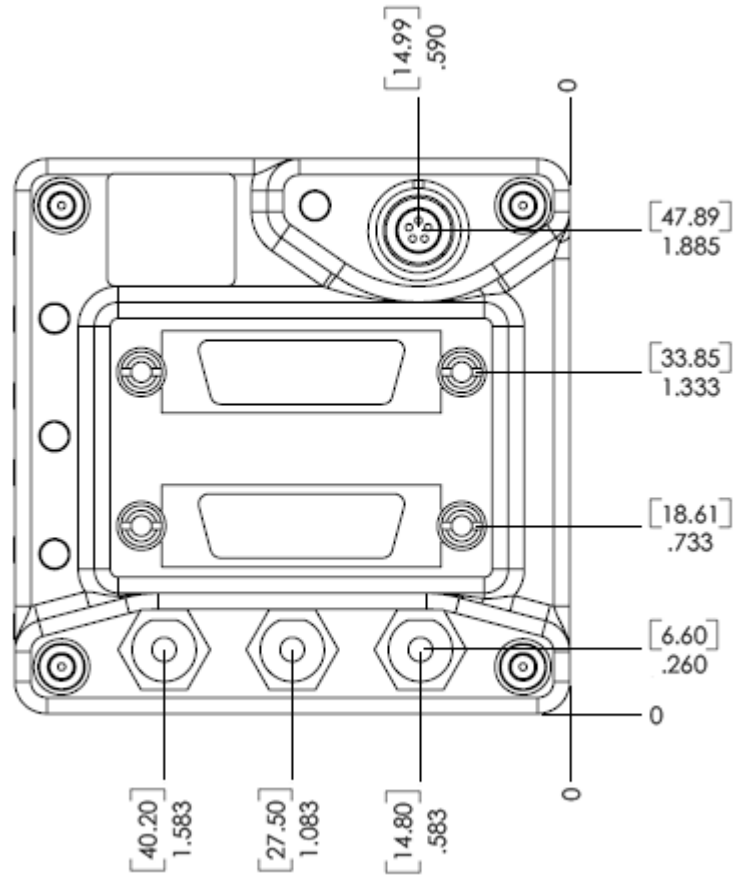


4.13. Mechanical and hole mounts (MotionScope M)

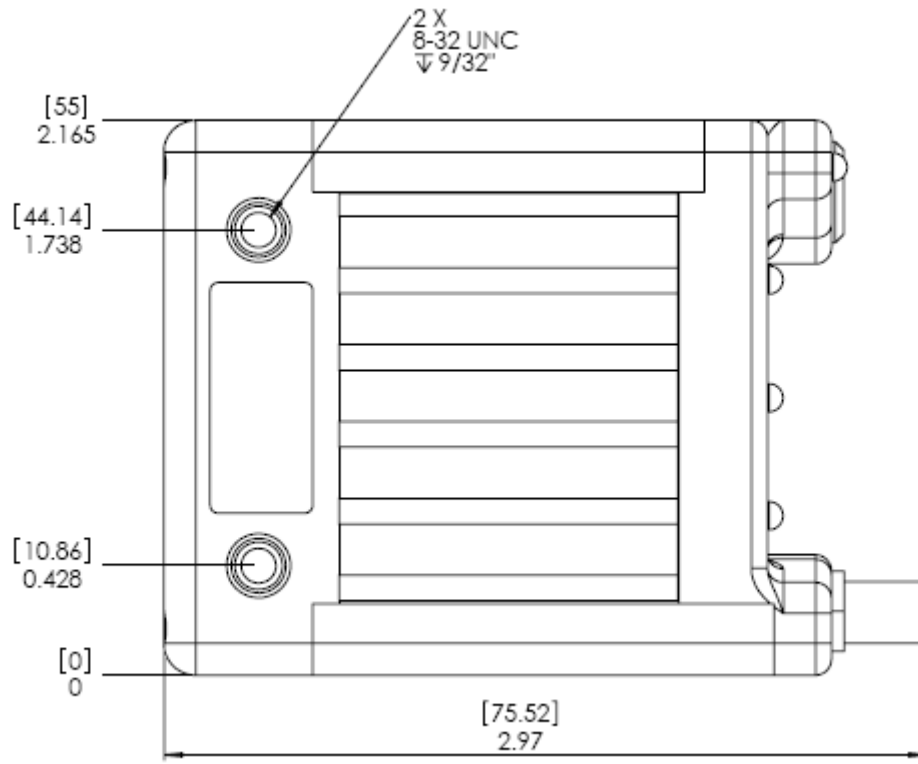
4.13.1. Front View



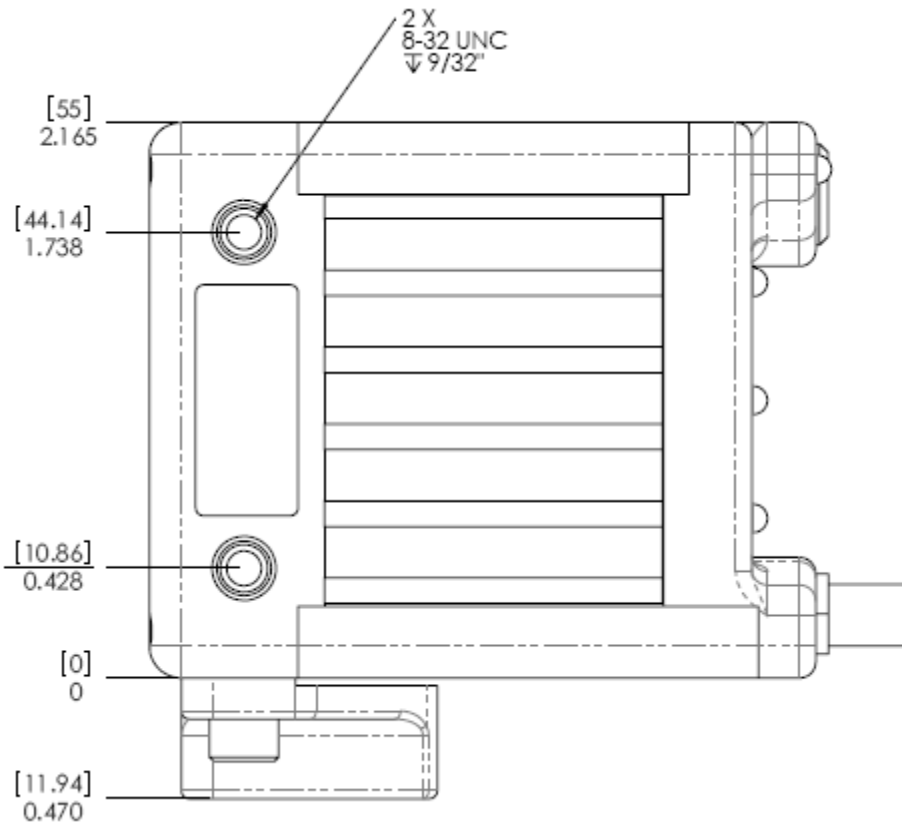
4.13.2. Back View



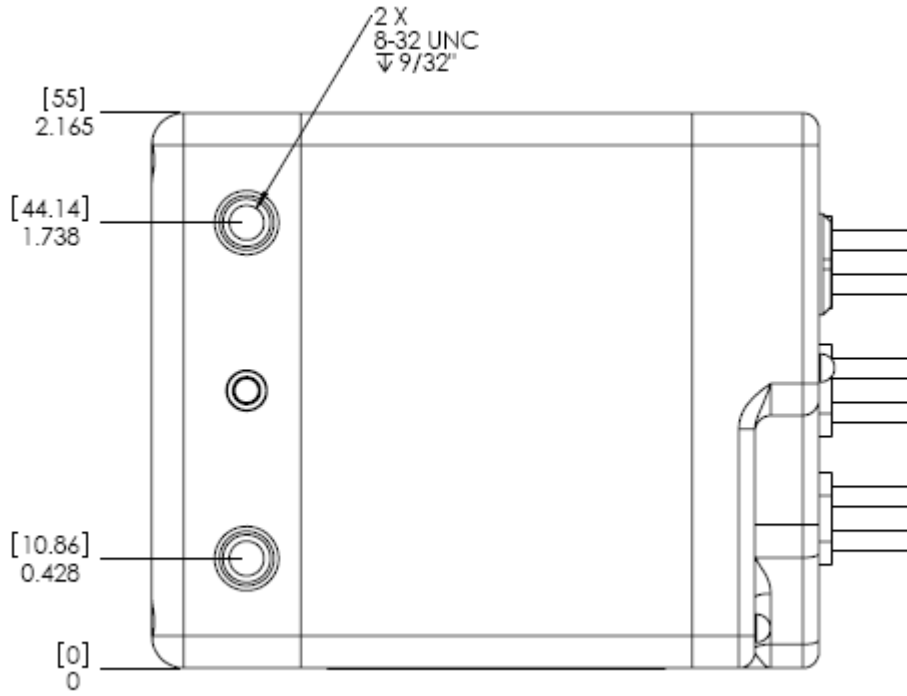
4.13.3. Side View



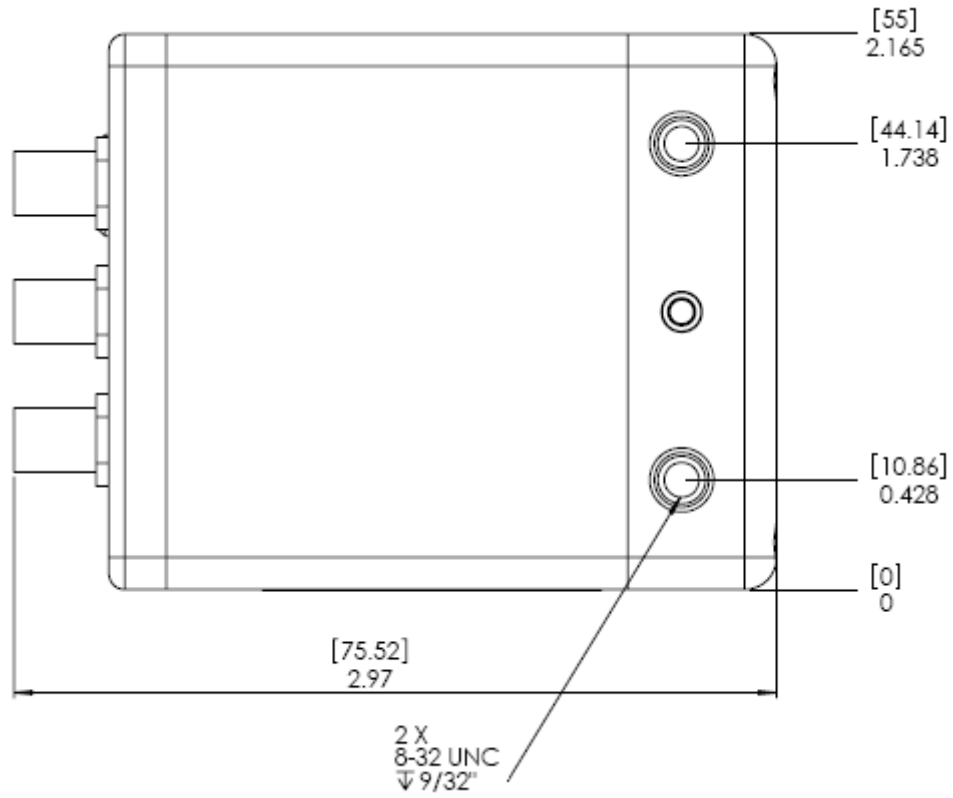
4.13.4. Side View with mount



4.13.5. Top View



4.13.6. Bottom View



4.13.7. Bottom View with Mount

